

DUJE EMME

THERMOPLASTIC ACCESSORIES



DUE EMME
THERMOPLASTIC ACCESSORIES

Via Cimabue, 26/28
20032 Cormano (MI) - ITALY

Tel. +39 (0) 2 6630871








info@2m-italia.it










www.2m-italia.it
www.2m-italia.com

THANKS FOR CHOOSING US.
Check our videos on You Tube

 2M ITALY - Thermoplastic accessories

Anno di pubblicazione: 2023

		FIBBIE BUCKLES	
FIBBIE A SGANCIO LATERALE Side release buckles			5
FIBBIE A SGANCIO CENTRALE Central release buckles			10
FIBBIE DI SICUREZZA Safety buckles			12
FIBBIE ROTANTI Swivel buckles			14
FIBBIE LEGGERE Light buckles			15
FIBBIE A SPORTELLO Cam buckles			15
FIBBIE ANTISOFFOCAMENTO Anti-choking buckles			16
		SISTEMI DI REGOLAZIONE REGULATION SYSTEMS	
FIBBIE A 3 LUCI Ladderlocks			17
SCORREVOLI Sliders			19
SISTEMA STERNO Sternum systems			21
GANCI DI TENSIONE Tension hooks			22
SEPARATORI Dividers			23
		COMPONENTI INFANZIA JUVENILE COMPONENTS	
PASSANTI Loops			25
FIBBIE A 3 VIE 3 Ways buckles			26
FIBBIE A 4 VIE 4 Ways buckles			27
FIBBIE A 5 VIE 5 Ways buckles			28
		COMPONENTI MILITARI MILITARY COMPONENTS	
FIBBIE MILITARI Military buckles			30
PASSANTI Loops			35
FIBBIE A SGANCIO RAPIDO Quick release buckles			35
COMPONENTI MOLLE Molle systems			39
ACCESSORI RICAMBIO RAPIDO Split-bar items			39
BASTINI Back-packs frames			42
ACCESSORI VARI Various components			44
		COMPONENTI NAUTICA MARINE COMPONENTS	
COMPONENTI NAUTICA Marine components			47
		MOSCHETTONI SNAP HOOKS	
MOSCHETTONI SEMPLICI Snap hooks			50
MOSCHETTONI ROTANTI Swivel snap hooks			53
MOSCHETTONI PER GUANTI Gloves hooks			55
		ANELLI E PASSANTI RINGS&LOOPS	
TRIANGOLI Triangles			56
SEMIANELLI D-rings			57
ANELLI RETTANGOLARI Square loops			57
ANELLI TONDI Rings			58
ATTACCHI LATERALI Side attacks			58
RIDUTTORI Reducers			58
PASSANTI Loops			59
PASSANTI APERTI Open loops			59
PASSANTI CUCIBILI Sewable loops			59

		FERMACORDA CORDLOCKS	
FERMACORDA A MOLLA Spring cordlocks			60
FERMACORDA A SPORTELLO Cam cordlocks			66
FERMACORDA A FRIZIONE Friction cordlocks			66
		TERMINALI E TIRETTI PULLERS	
TERMINALI PER CORDINI Cord ends			69
TIRACORDA Cord pullers			72
TIRALAMPO Zip pullers			74
PUNTALI PER NASTRI Belt ends			76
TIRANASTRI Strap pullers			78
		COMPONENTI CARTOTECNICA STATIONERY COMPONENTS	
CHIUSURE A SGANCIO FRONTALE Front release locks			79
CHIUSURE A SGANCIO LATERALE Side release locks			81
CHIUSURE A BATTENTE Cam locks			81
CHIUSURE ROTANTI Swivel locks			81
GIRELLI Twisting locks			82
		MANIGLIE HANDLES	
MANIGLIE RIGIDE Rigid handles			83
MANIGLIE FLESSIBILI Flexible handles			87
MANIGLIE RIVETTABILI Handles attachable with rivets			88
MANIGLIE PIATTE Flat handles			89
MANIGLIE IMBOTTITE Padded handles			90
		BOTTONI BUTTONS	
BOTTONI A PRESSIONE Snap fasteners			91
BOTTONI CUCIBILI Sewable buttons			93
BOTTONE JEANS Jeans button			93
		RIVETTI RIVETS	
RIVETTO SIGILLO Safety rivet			94
RIVETTI MANUALI Manual rivets			95
RIVETTI AUTOMATICI Automatic rivets			96
RIVETTI AUTOPERFORANTI Self-piercing rivets			96
		OCCHIELLI E AREATORI EYELETS & BREATHERS	
OCCHIELLI Eyelets			97
AREATORI Breathers			99
		ACCESSORI VARI VARIOUS	
ACCESSORI SCARPE Shoes Accessories			100
CHIUDI TASCA Pocket locks			102
SPALLACCI Shoulder pads			103
COPRIMANIGLIA Handle grip			105
PIEDINI Rubber feet			105
PORTANOME ID tag holders			106
ACCESSORI VARI Miscellaneous			107
		ALUPLAST ALUPLAST	
ALUPLAST Aluplast			110

Dal 1979 progettazione e produzione di accessori termoplastici per svariati settori quali:

- **Abbigliamento sportivo**
- **Militare**
- **Medicale**
- **Abiti da lavoro**
- **Infanzia**
- **Nautica**
- **Cartotecnica**
- **Pelletteria**
- **Fashion**

Dal 2023 anche costruzione e manutenzione di stampi ad iniezione.

I prodotti illustrati nel presente catalogo sono coperti da uno o più brevetti, sia a livello di invenzione industriale che come modelli ornamentali.

A difesa delle contraffazioni i nostri particolari sono individuabili **tramite il marchio 2M** riportato su ogni articolo.

I dati tecnici riportati sul presente catalogo sono da considerarsi indicativi e non vincolanti.

La Due Emme non si assume, quindi, alcuna responsabilità per quanto concerne i danni causati dall'abuso o uso improprio delle caratteristiche dei prodotti e si riserva la possibilità di apportare variazioni in qualsiasi momento, senza preavviso. Inoltre non possiamo garantire a priori che un articolo sia adatto ad una particolare applicazione, è quindi necessario che il cliente effettui i test necessari per valutare la conformità dell'articolo all'uso finale.

From 1979 design and production of thermoplastic accessories for various sectors, such as:

- **Sports wear**
- **Military**
- **Medical**
- **Work wear**
- **Juvenile**
- **Marine**
- **Stationery**
- **Leatherhood**
- **Fashion**

From 2023 also injection molds constructions and maintenance.

The products showed in this catalogue are protected by one or more patents, both as invention and as ornamental models.

As protection against falsification, our articles can be identified **by the trademark 2M** inscribed on every product.

The technical data indicated in this catalogue are approximate and not mandatory.

Due Emme therefore will not assume any liability for damages caused by abuse or improper use of the characteristics of its products and reserve its own right to make modifications at any time, without notice. Moreover we cannot guarantee that a product is suitable or not for a particular application, therefore the customer should always conduct their own tests to evaluate the conformity of the item to the final use.

DUE EMME

3 SEDI

- Sede commerciale e amministrativa (Milano)
- Divisione stampi (Erbusco - BS)
- Sede produttiva (Flero - BS)

DUE EMME

3 LOCATIONS

- Commercial and financial headquarter (Milan)
- Tooling division (Erbusco - BS)
- Production site (Flero - BS)



STANDARD 100

992476.0 CENTROCOT

www.oeko-tex.com
*Oeko Tex valid for specified materials and colors.

COLORI COLORS

BLACK 20



YELLOW 26



RED 24



WHITE 23



ORANGE 37



SABLE BEIGE 47ME I.R.



GREY 14



NATO GREEN 36ME I.R.



TAN 47TN I.R.



ROYAL 30



OLIVE GREEN 36OG I.R.



COYOTE 4719 I.R.



BLUE 28



GREEN SA 36SA I.R.



COYOTE BROWN 47BR I.R.



**NYLON 6 - NYLON 6.6
(PA 6 - PA 6.6)**

- High mechanical strenght
- Great rigidity
- Great stability to heat
- Excellent toughness even at subzero temperatures
- Good fire resistance
- Good resistance to oils, grease and solvents
- Dyes very easily
- Available also in FLAME RETARDANT version

**ACETAL
(POM)**

- High rigidity
- High mechanical strength
- Good elasticity
- Excellent abrasion resistance
- Good resistance to oils, grease and solvents
- Low water absorption

**POLYESTER
(PBT)**

- High rigidity and hardness
- Low tendency to creep
- High short-term heat distortion temperature
- Good abrasion resistance
- Good insulation properties
- Minimal water absorption
- Good chemical resistance
- Good impact strenght at low temperatures

TABELLA DI COMPARAZIONE MATERIAL COMPARISON TABLE

PROPERTY	UNIT	NYLON			ACETAL	POLYESTER
		PA 6	PA 6.6	PA FR		
MECHANICAL		PA 6	PA 6.6	PA FR	POM	PBT
TENSILE STRESS AT YELD	Mpa	80	85	80	65	60
TENSILE MODULUS	Mpa	3200	3200	3400	2900	2700
TENSILE STRAIN AT BREAK	%	40	35	15	25	9
FLEXURAL MODULUS	Mpa	2800	2800	3200	2800	2650
CHARPY NOTHCED IMPACT STRENGHT	KJ/m ²	4,5	4,5	4	6,5	<10
THERMAL						
MELTING POINT	°C	221	263	221	166	225
FLAMMABILITY - UL 94	CLASS	V2	V2	V0	HB	HB
PHYSICAL						
DENSITY	g/cm ³	1,1	1,14	1,2	1,41	1,31
WATER ABSORPTION 24 HRS AT 24 ±C	%	1,3	1,2	0,9	0,65	0,2

NOTES: Values shown are indicative and refer to the raw materials we use. Test run at 23°. at DAM state (dry as moulded)

FIREBREAK MATERIAL

Si tratta di un prodotto Fiamma Ritardante, certificato VO secondo la norma UL94.

Secondo i requisiti della norma, dopo essere stato rimosso dalla fiamma, il campione non deve:

- Bruciare con combustione di fiamma per più di 10 sec
- Gocciolare particelle infuocate

This is a Flame Retardant product, VO certified according to UL94. According to the requirements of the standard, after being removed from the flame, the sample shall not:

- Burn by burning more than 10 sec
- Dripping of burning particles



THERMA-SHIELD MATERIAL

Perfetto per quegli utilizzi in cui è richiesta un'elevata resistenza al calore, come i lavaggi industriali. Studiato per quelle applicazioni tecniche che seguono lavorazioni tali da richiedere delle specifiche caratteristiche termiche.

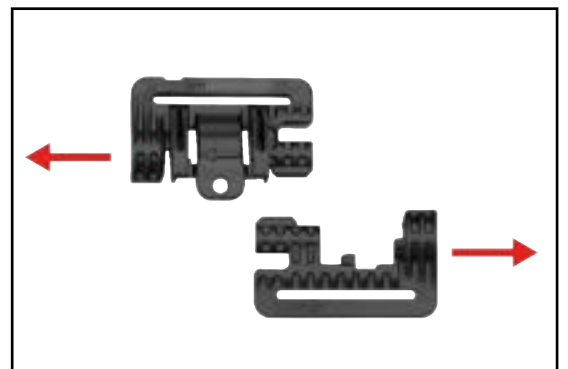
Ideal for those applications where a high resistance to heat is required, such as industrial washings. Studied for technical applications which processes need special thermal properties.



POLYGLIDE MATERIAL

Studiato per permettere elevate performance tecniche, come nel caso del nostro sgancio rapido ROC, dove è richiesto uno scorrimento veloce ed un'apertura immediata.

Designed to allow high technical performance, as in the case of our quick release ROC, where a fast sliding and immediate opening is required.



ECONABLE MATERIAL

Siamo tra gli unici in grado di offrire dei prodotti stampati con materiale 100% rigenerato, composto totalmente dai nostri scarti di produzione, ma facendo attenzione a mantenere intatte le proprietà tecniche del materiale. Offriamo un prodotto sostenibile, rispettoso dell'ambiente, ma allo stesso tempo dalle elevate prestazioni.

Disponibile solo in colore Nero.

We are the only ones able to offer products injected with 100% regenerated material, composed entirely of our production waste, but taking care to keep the technical properties of the material intact.

We offer a sustainable product, environmentally friendly, but at the same time with high performance.

Available only in Black color.





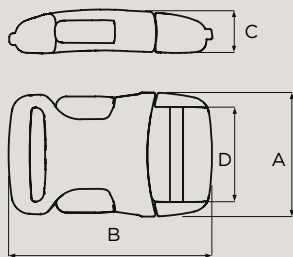
Fibbia a sgancio laterale - CRP

FIBBIE

BUCKLES

FIBBIE A SGANCIO LATERALE SIDE RELEASE BUCKLES

CR-CRAB



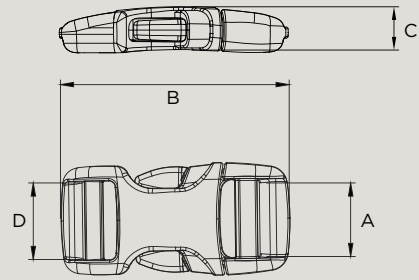
SIZE	MAT.	A	B	C	D
16 mm	POM	22.5	39	9.2	16.3
20 mm	POM	26.7	42.4	10.2	20.5
25 mm	POM	33.6	54.6	12	25.5
40 mm	POM	50	67.8	14	40.6
50 mm	POM	61	75	16	50.4

* CR 40 - CERTIFICATA ENI ISO 12402-7 | CERTIFIED ENI ISO 12402-7

FIBBIE A SGANCIO LATERALE SIDE RELEASE BUCKLES

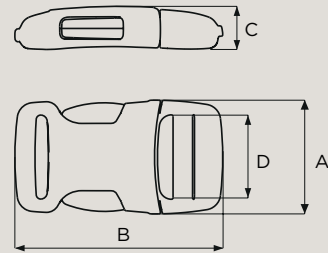
CRP/DR - DOUBLE REGULATION

NEW



SIZE	MAT.	A	B	C	D
20 mm	POM	20.7	60.3	11.6	20.7
25 mm	POM	25.6	70	12.5	25.5
40 mm	POM	40.7	81	16.2	40.7

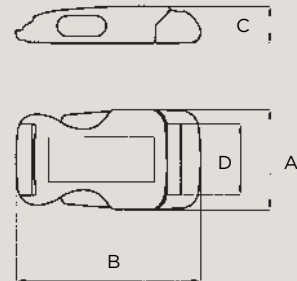
CRP - CRAB PLUS



SIZE	MAT.	A	B	C	D
20 mm	POM	30	53.5	11.5	20
25 mm	POM	35	64	13.3	26
40 mm	POM	50.6	70.2	16.2	40.7

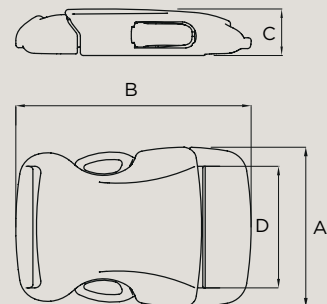
* CRP 25 - CERTIFICATA ENI ISO 12402-7 | CERTIFIED ENI ISO 12402-7

NB



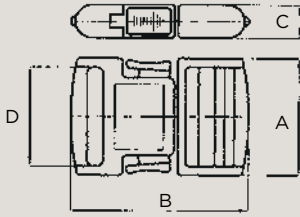
SIZE	MAT.	A	B	C	D
20 mm	PA 6	30.3	52	10.5	21
25 mm	PA 6	37	67.5	13.5	26
30 mm	PA 6	43	72	14	31
40 mm	PA 6	54	79.5	15.5	41

NBS



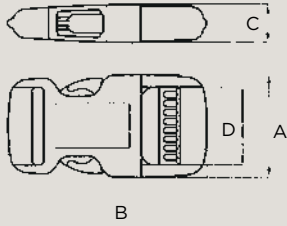
SIZE	MAT.	A	B	C	D
40 mm	PA 6	53.5	78.4	15.5	40

HTP



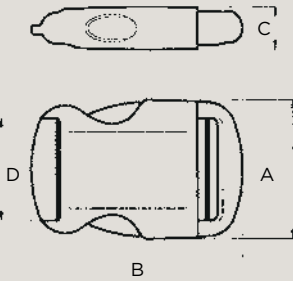
SIZE	MAT.	A	B	C	D
30 mm	PA 6	55	44	10	30.5
40 mm	PA 6	68.5	61	11.5	40.5

795



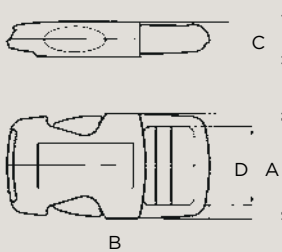
SIZE	MAT.	A	B	C	D
16 mm	POM	22	45	8	17
20 mm	PA 6 - POM	27.5	55.5	10	21
25 mm	PA 6	34	67	12.5	26
30 mm	PA 6	38.5	68	13	31
40 mm	PA 6	48	76	15.5	41
50 mm	PA 6	59	81	17.5	51

FGP



SIZE	MAT.	A	B	C	D
35 mm	PA 6	49	75	15	36

SSL

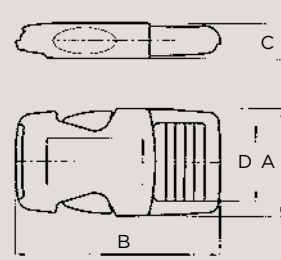
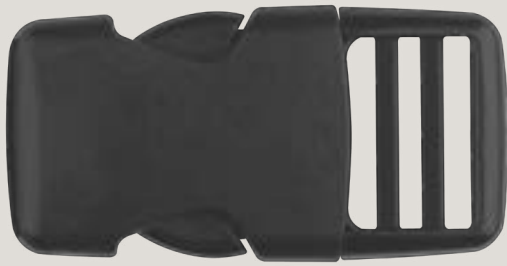


SIZE	MAT.	A	B	C	D
20 mm	PA 6	29.3	55	9.5	21
25 mm	PA 6	34.5	66.5	11	25.5
30 mm	PA 6	41.5	74	13	31
40 mm	PA 6	52.5	81.5	14	41

* SSL 30 - CERTIFICATA ENI ISO 12402-7 | CERTIFIED ENI ISO 12402-7

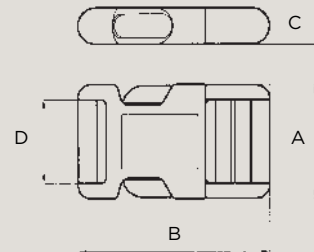
FIBBIE A SGANCIO LATERALE SIDE RELEASE BUCKLES

SSL/3B



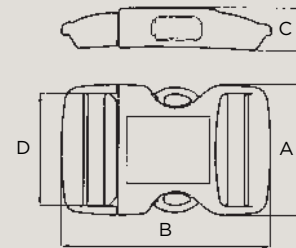
SIZE	MAT.	A	B	C	D
25 mm	POM	33.5	66	11	25.2

900



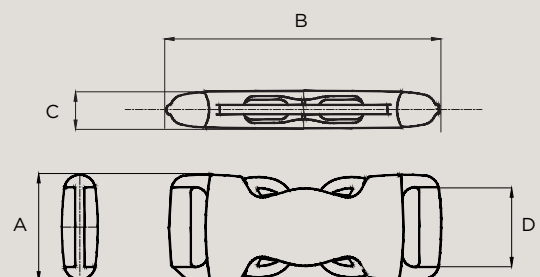
SIZE	MAT.	A	B	C	D
30 mm	PA 6	42.5	71.5	13.5	31
40 mm	PA 6	54	78	17.5	40.5
50 mm	PA 6	64	81	17.5	50.5

FDR



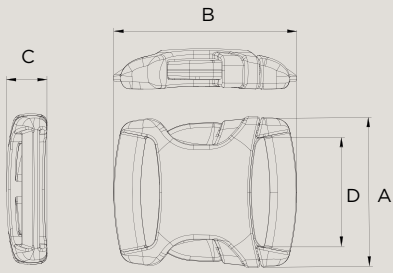
SIZE	MAT.	A	B	C	D
20 mm NEW	PA 6	29.4	55.8	11.5	20.8
25 mm	PA 6	34	62.5	13.4	25.5
40 mm	PA 6	47	75.5	15.4	40.5
50 mm	PA 6	59	92	16.3	51

B2W



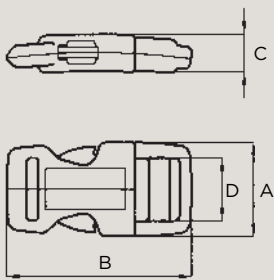
SIZE	MAT.	A	B	C	D
25 mm	POM	33	86	12	25

BB



SIZE	MAT.	A	B	C	D
40 mm	POM	55	68	15	41

ESALOCK



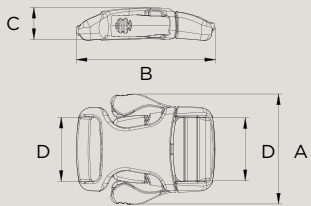
SIZE	MAT.	A	B	C	D
17 mm	POM - PA 6.6	25.5	51.5	9.5	17

- ESALOCK/1 MALE PA 6.6 - ONE COLOUR
FEMALE PA 6.6 - ONE COLOUR

- ESALOCK/2 MALE PA 6.6 - RED
FEMALE POM - BLACK

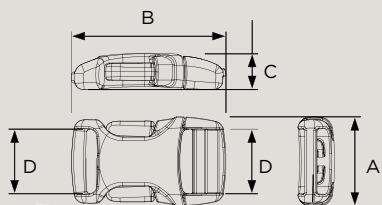
- ESALOCK/3 MALE PA 6.6 - ONE COLOUR
FEMALE POM - ONE COLOUR

EB



SIZE	MAT.	A	B	C	D
16 mm NEW	POM	28.6	44	9.5	16.4
20 mm	POM	34.8	44.3	10	20.7
25 mm	POM	43	52	12	26

CR-HELMET

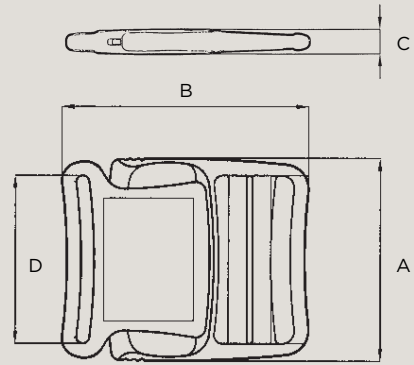
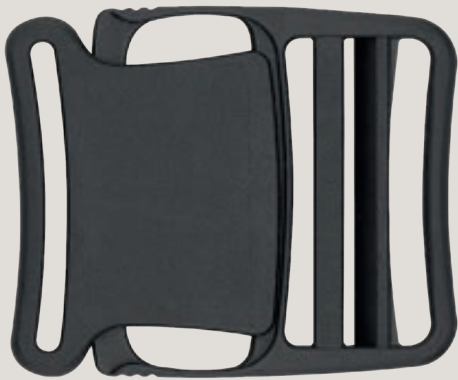


SIZE	MAT.	A	B	C	D
16 mm	POM	22.5	39	9	16.3

TESTATA ISO EN 397 | ISO EN 397 TESTED

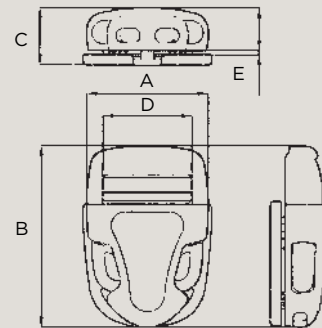
FIBBIE A SGANCIO LATERALE SIDE RELEASE BUCKLES

BLS



SIZE	MAT.	A	B	C	D
40 mm	PA 6.6	49.5	60	6	41

PCB

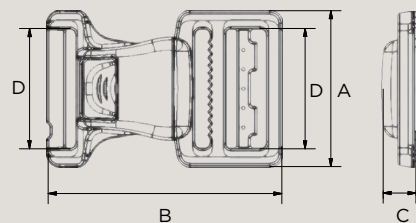


SIZE	MAT.	A	B	C	D	E
25 mm	POM	35	52.5	16.5	25.6	1.2
40 mm	POM	50	58.5	18	40.5	1.2

*PCB/25 FUSTELLA A RICHIESTA | PCB/25 PUNCH AT REQUEST

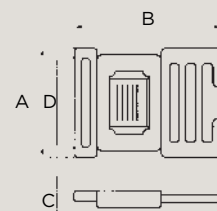
FIBBIE A SGANCIO CENTRALE CENTRAL RELEASE BUCKLES

ASB



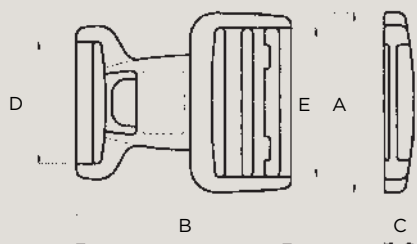
SIZE	MAT.	A	B	C	D
35 mm	PA 6- PA 6.6	44.5	72.4	10.3	37
40 mm	PA 6- PA 6.6	48.5	72.8	10.3	41

FG



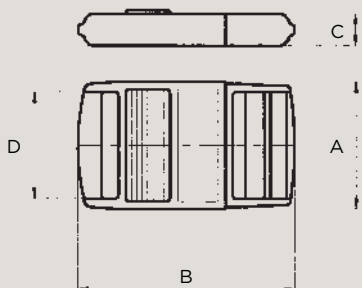
SIZE	MAT.	A	B	C	D
25 mm	PA 6	32	44	6.5	26
35 mm	PA 6	45	61	7	37

SLP



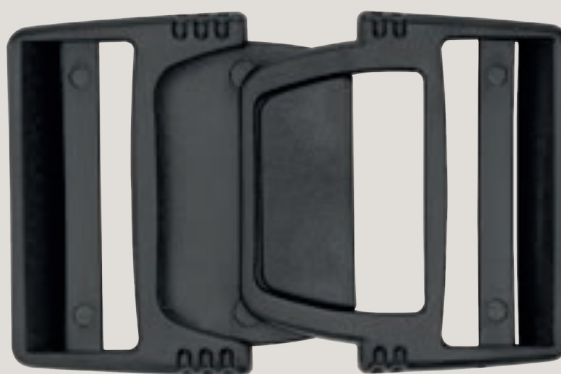
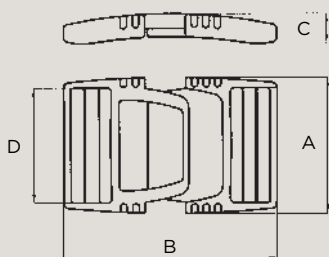
SIZE	MAT.	A	B	C	D	E
35 mm	POM-PA 6.6	46.5	72	10	35	35
40 mm	POM-PA 6.6	53.5	72.5	10	41	41
50M/40 mm	POM-PA 6.6	60	72.5	10	41	50

AUT



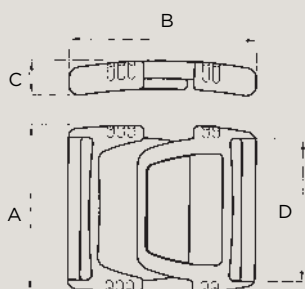
SIZE	MAT.	A	B	C	D
20 mm	POM	26.5	55	8.5	20
30 mm	POM	36	61	10	30

BTS



SIZE	MAT.	A	B	C	D
40 mm	POM	48	75	10.5	40.5

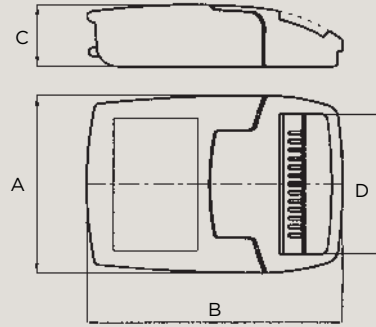
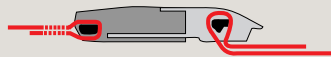
BT



SIZE	MAT.	A	B	C	D
40 mm	POM	48	54	10	41

FIBBIE A SGANCIO CENTRALE CENTRAL RELEASE BUCKLES

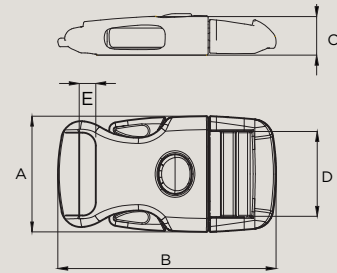
FLY



SIZE	MAT.	A	B	C	D
40 mm	PA 6	52	76	18	41

FIBBIE DI SICUREZZA SAFETY BUCKLES

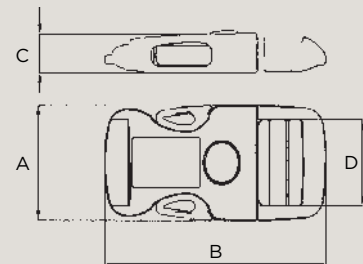
FBT



SIZE	MAT.	A	B	C	D	E
25 mm	POM	35	66	11.5	25.5	5

* A RICHIESTA PULSANTE ROSSO | AT REQUEST RED BUTTON

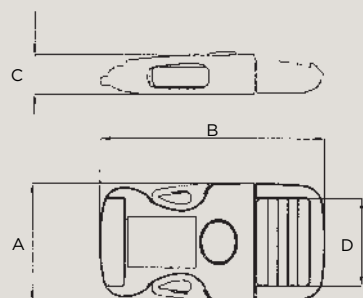
FBP



SIZE	MAT.	A	B	C	D
25 mm	POM	35	66	11.5	25.5

* A RICHIESTA PULSANTE ROSSO | AT REQUEST RED BUTTON

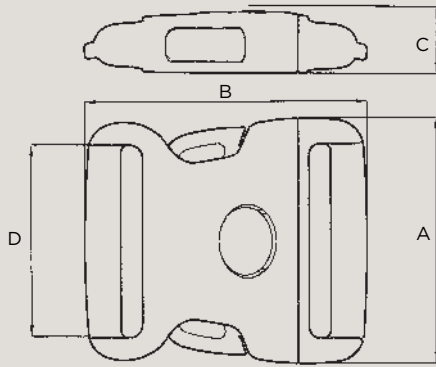
FBP/3B



SIZE	MAT.	A	B	C	D
25 mm	POM	35	66.5	11.5	25.5

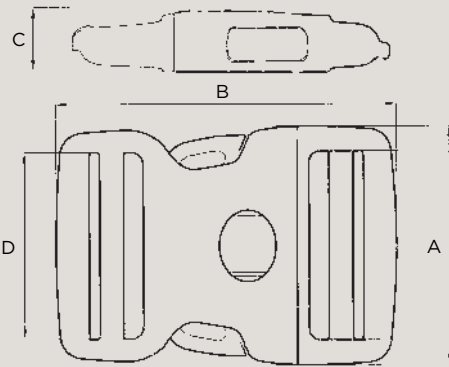
* A RICHIESTA PULSANTE ROSSO | AT REQUEST RED BUTTON

FPS



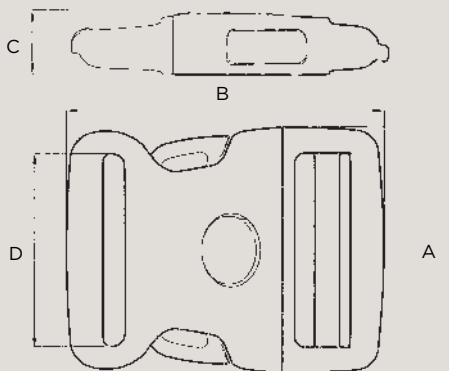
SIZE	MAT.	A	B	C	D
50 mm	POM	67	78	18.4	52.5
55 mm	POM	67	78	18.4	57

FPS DR



SIZE	MAT.	A	B	C	D
50 mm	POM	67	96	16.6	52.5

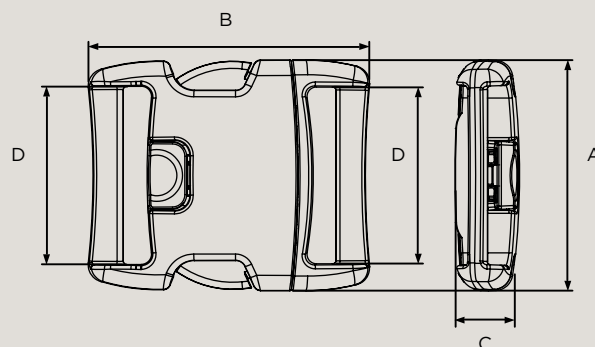
FPS MR



SIZE	MAT.	A	B	C	D
50 mm	POM	67	87	18.4	52.5

FIBBIE DI SICUREZZA SAFETY BUCKLES

PS/B

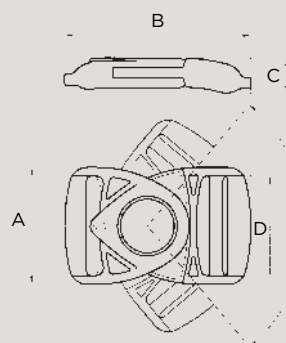


SIZE	MAT.	A	B	C	D
50 mm	PA 6	66.9	81	17.8	51

* POSSIBILE PERSONALIZZAZIONE CON LOGO IN METALLO |
POSSIBLE CUSTOMIZATION WITH METAL LOGO

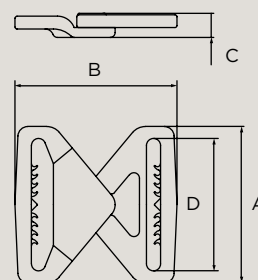
FIBBIE ROTANTI SWIVEL BUCKLES

SWB



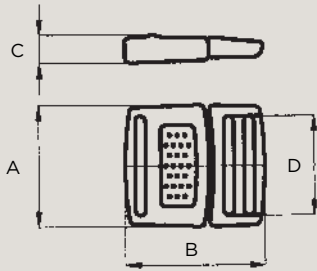
SIZE	MAT.	A	B	C	D
25 mm	POM	33.5	60	13	26.5
40 mm	POM	46.3	73.3	13.7	39.5
50 mm	POM	58	75	13	50.8

BS



SIZE	MAT.	A	B	C	D
40 mm	PA 6	47.8	49.4	7.4	40.5

FIBBIE LEGGERE LIGHT BUCKLES

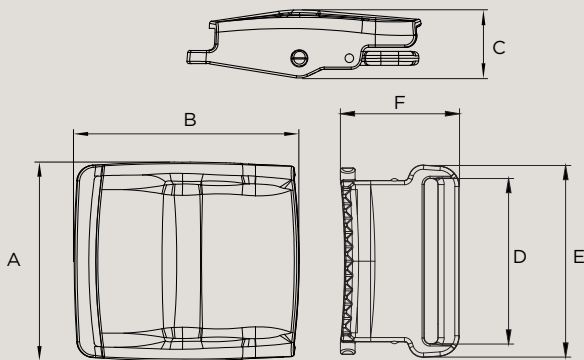


FP



SIZE	MAT.	A	B	C	D
20 mm	POM	24	27.5	5.5	20

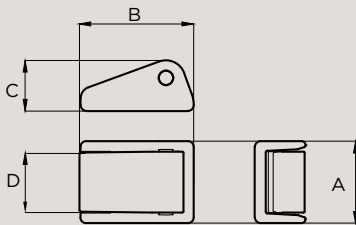
FIBBIE A SPORTELLO CAM BUCKLES



BELT CAM
NEW



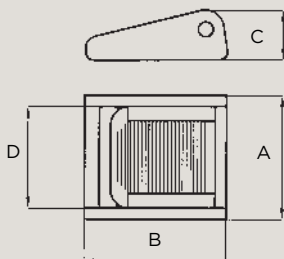
SIZE	MAT.	A	B	C	D	E	F
40 mm	POM	46.5	53.5	15.5	40.2	47	29



E



SIZE	MAT.	A	B	C	D
16 mm	PA 6	21	29.4	13	16



FA

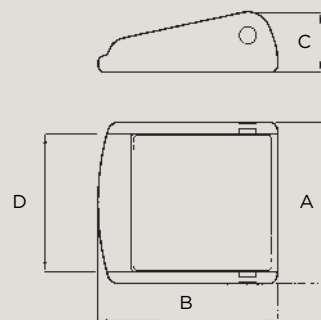


SIZE	MAT.	A	B	C	D
20 mm	PA 6	27	36	12	21
30 mm	PA 6	37.5	40	13	30.5



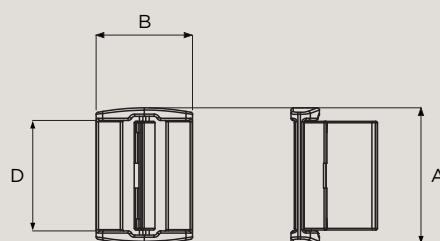
FIBBIE A SPORTELLO CAM BUCKLES

FAN



SIZE	MAT.	A	B	C	D
20 mm	PA 6-POM	26	32	12.5	20
25 mm	PA 6-POM	32.6	40	14.2	25.3
40 mm	PA 6	48	54	18	41

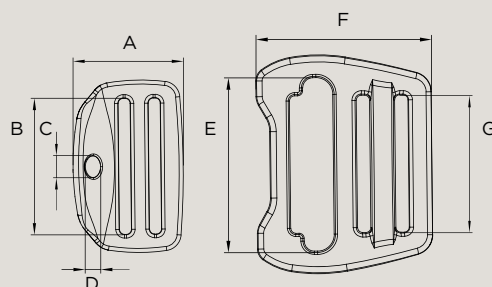
SCB



SIZE	MAT.	A	B	C	D
20 mm	POM	25.3	20	6.3	20.1
25 mm	POM	30.7	21.9	6.5	25

DSB - DOUBLE SNAP BUCKLE

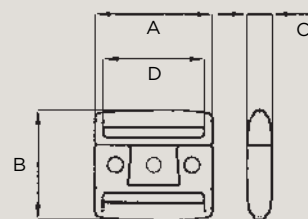
NEW



SIZE	MAT.	A	B	C	D	E	F	G
40 mm	PA 6	33	41	6.5	4.5	51.5	52.5	41

FIBBIE ANTISOFFOCAMENTO ANTI-CHOKING BUCKLES

FAS



SIZE	MAT.	A	B	C	D
10 mm	PA 6	14	17.8	3.5	10.4
15 mm	PA 6	18.4	24	5	15.4
20 mm	PA 6	23.6	22	5	20.5

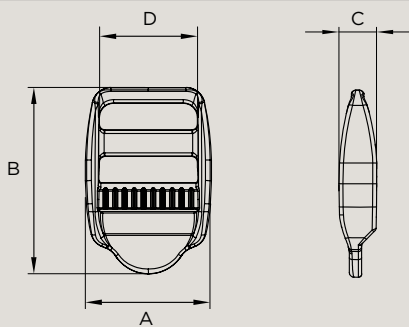


Scorrevoli - SC

SISTEMI DI REGOLAZIONE

REGULATION SYSTEMS

FIBBIE A 3 LUCI LADDERLOCKS



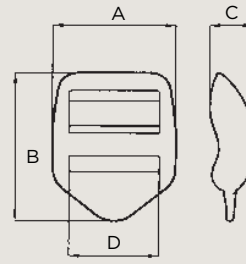
SIZE	MAT.	A	B	C	D
20 mm	PA	26.5	39.7	8	28.8
25 mm	PA	32.8	40.2	7.5	26.3



LDL
NEW

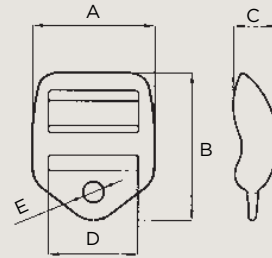
FIBBIE A 3 LUCI LADDERLOCKS

LS



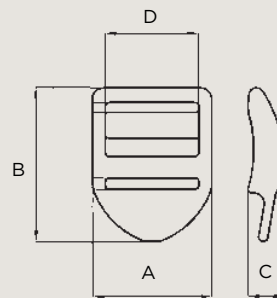
SIZE	MAT.	A	B	C	D
20 mm	PA 6	27	37	11	20.6
25 mm	PA 6	34.5	42	12	25.5
50 mm	POM	61.5	78.5	25	50.5

LS CF/6



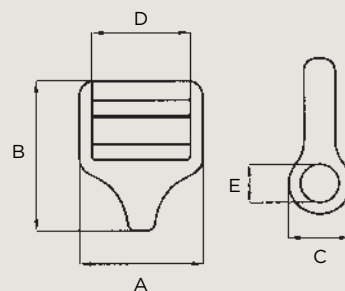
SIZE	MAT.	A	B	C	D	E
25 mm	PA 6	34.5	42	12	25.5	Ø 6

ASP



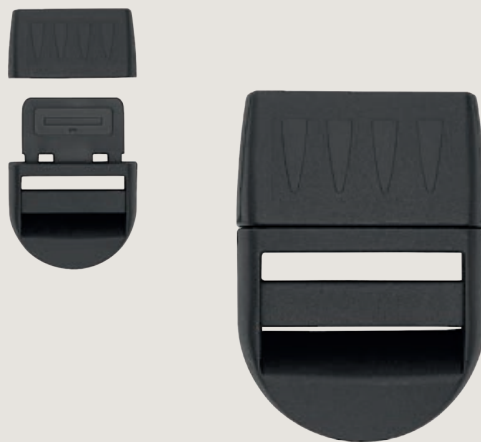
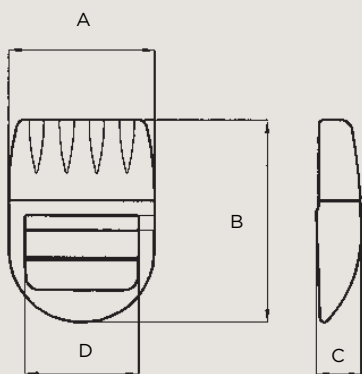
SIZE	MAT.	A	B	C	D
25 mm	PA 6	32.5	42	12	25.5

ASF



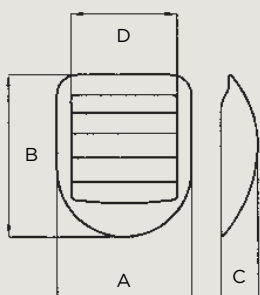
SIZE	MAT.	A	B	C	D	E
25 mm	PA 6	32	39	16	25.5	Ø 10

LSC



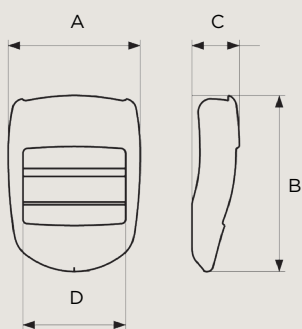
SIZE	MAT.	A	B	C	D
25 mm	PA 6	34	47	10.5	26.5

ASN



SIZE	MAT.	A	B	C	D
15 mm	PA 6	21	34.5	9	16
20 mm	PA 6	28	37.5	9	21
25 mm	PA 6	33	40	9.5	26
30 mm	PA 6	38	41	10	31
40 mm	PA 6	50	50.5	11	41
50 mm	PA 6	51.5	62	12	51.5

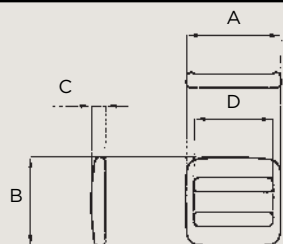
SCLN



SIZE	MAT.	A	B	C	D
25 mm	PA 6	33	45	12	26

SCORREVOLI SLIDERS

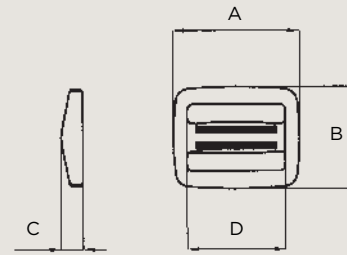
SM



SIZE	MAT.	A	B	C	D
20 mm	PA 6	25.1	24	3.7	21

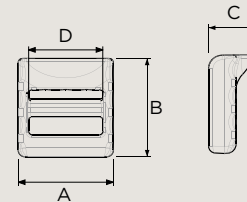
SCORREVOLI SLIDERS

SC



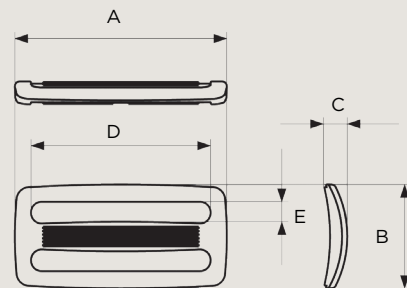
SIZE	MAT.	A	B	C	D
10 mm	PA 6	15.5	17.5	4	10.5
16 mm	PA 6	22.5	23.5	5	16.5
20 mm	PA 6	27.5	22	5	21
25 mm	PA 6	32.7	26.5	5.7	25.5
30 mm	PA 6	37.5	28.2	6	30.5
40 mm	PA 6	50.5	36.8	7.4	40.6
50 mm	PA 6	59.5	36	7	50.5

BH
NEW



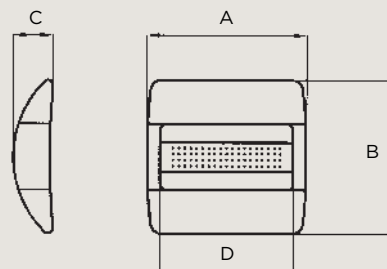
SIZE	MAT.	A	B	C	D
16 mm	PA 6	20.8	21.5	10	16.2

SCNL

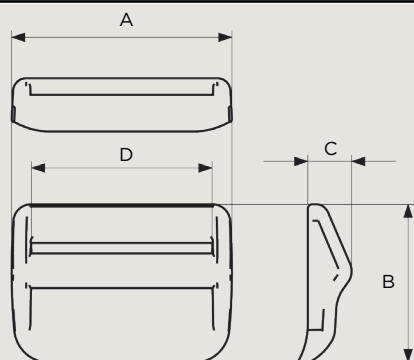


SIZE	MAT.	A	B	C	D	E
40 mm	PA 6	49	24	5.5	41.5	4.6

TSC



SIZE	MAT.	A	B	C	D
30 mm	PA 6	37.5	36.2	9.3	31.3
40 mm	PA 6	47.5	37	9.8	40.5

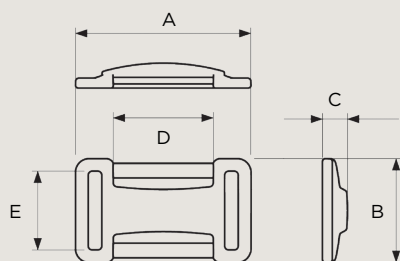


RG



SIZE	MAT.	A	B	C	D
40 mm	PA 6	49.7	35.8	11.3	40.7

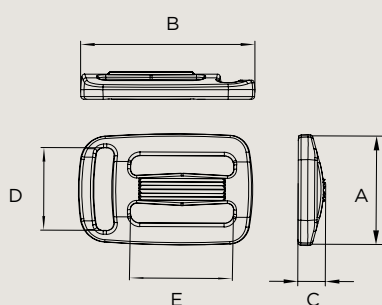
SISTEMA STERNO STERNUM SYSTEMS



DSC



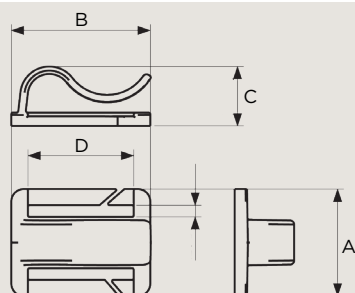
SIZE	MAT.	A	B	C	D	E
20/25 mm	POM	45.6	27	6.5	26	20.5
25/25 mm	POM	45.6	32	6.5	26	20.5



SCM



SIZE	MAT.	A	B	C	D	E
20/25 mm	POM	27.2	42.7	7	20.2	25.2

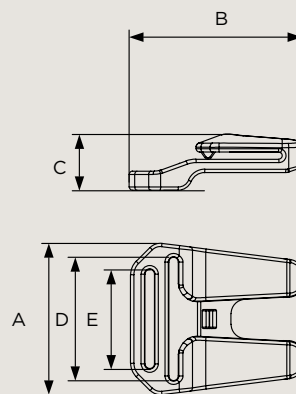


PRT



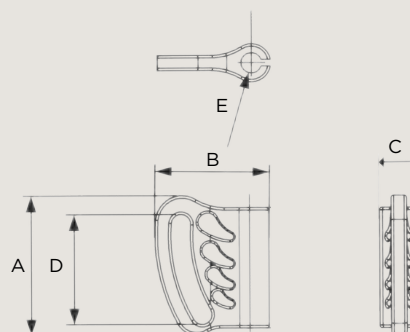
SIZE	MAT.	A	B	C	D
25 mm	PA 6	33.5	25.8	14.4	25.5

ALFA STERNUM CLIP



SIZE	MAT.	A	B	C	D	E
20/25 mm	PA 6/GF	31.9	36.5	11.7	25.8	20.8

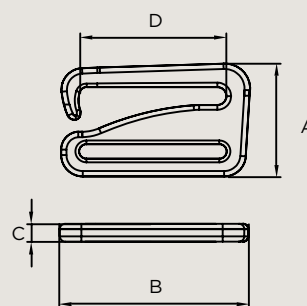
SSP



SIZE	MAT.	A	B	C	D	E
20 mm	POM	26.2	21.26	7.95	21.5	∅ 4

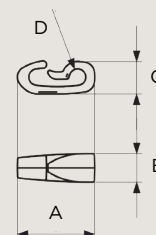
GANCI DI TENSIONE TENSION HOOKS

PTH

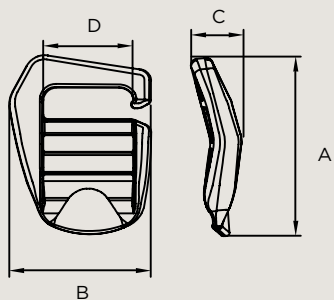


SIZE	MAT.	A	B	C	D
25 mm	PA 6/GF	32	37	5	25.5
40 mm	PA 6/GF	32	53	5	40.7

NBH/3.5



SIZE	MAT.	A	B	C	D
∅3.5 mm	POM	21.7	8	9.1	∅ 4.6



TLH

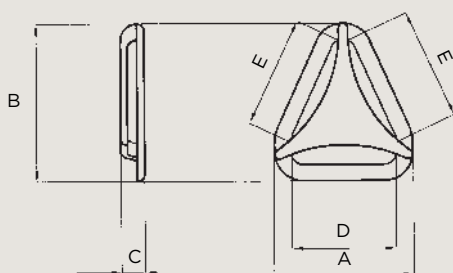


DX - RIGHT

SX - LEFT

SIZE	MAT.	A	B	C	D
20 mm	PA 6/GF	32.5	40.8	7.9	20.5
25 mm	PA 6/GF	46.5	38.7	8.7	25.6

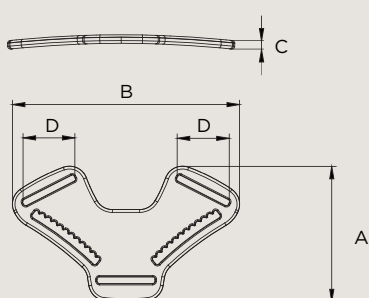
SEPARATORI DIVIDERS



TRB



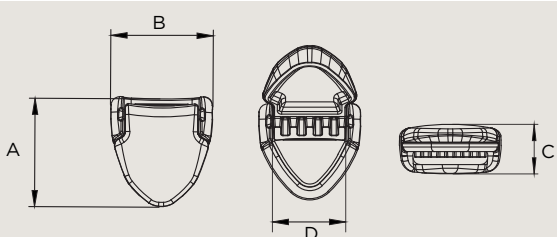
SIZE	MAT.	A	B	C	D	E
25 mm	PA 6	38.5	43.5	6.5	27	35.5



V DIVIDER
NEW



SIZE	MAT.	A	B	C	D
16 mm	PA 6	38.9	63.9	2.9	16.1



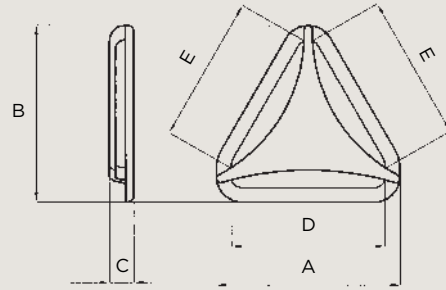
CAM DIVIDER
NEW



SIZE	MAT.	A	B	C	D
16 mm	PA 6	24	23	11	16.2

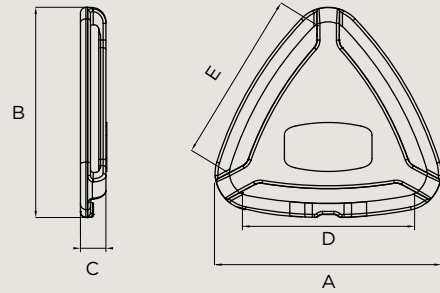
SEPARATORI DIVIDERS

TRC/45



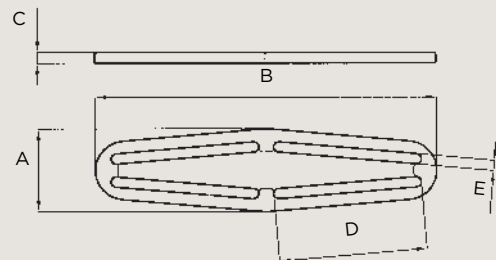
SIZE	MAT.	A	B	C	D	E
45 mm	PA 6	57.5	55	7.5	48	45.6

TRC/60



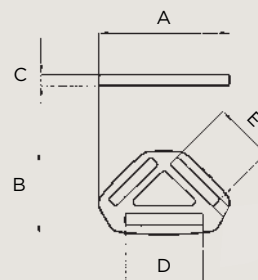
SIZE	MAT.	A	B	C	D	E
60 mm	PA 6	79.2	73.5	8.3	61.8	59.9

TRP



SIZE	MAT.	A	B	C	D	E
30 mm	GTR	22.6	74.5	3.2	31	3
40 mm	PP	22.6	92.5	2.9	40.2	2.8

DIVIDER



SIZE	MAT.	A	B	C	D	E
20/25 mm	PA 6	42.5	27.3	3.7	25.2	19.7



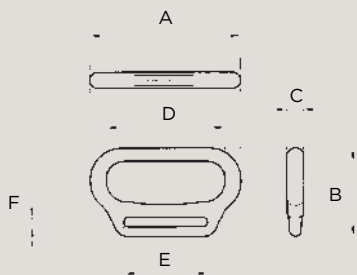
Fibbie a 5 vie - FCH/5W

COMPONENTI INFANZIA

JUVENILE COMPONENTS

PASSANTI LOOPS

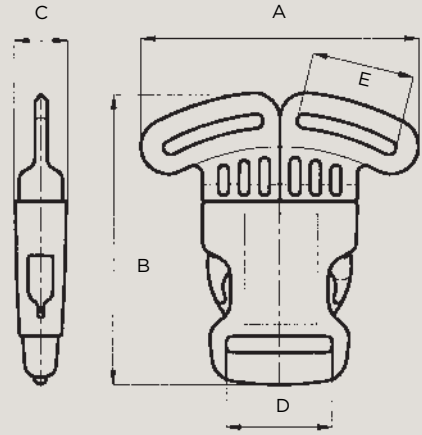
CH 25/35



SIZE	MAT.	A	B	C	D	E	F
25/35 mm	PA 6	46.8	27.5	5.3	36.8	26	3

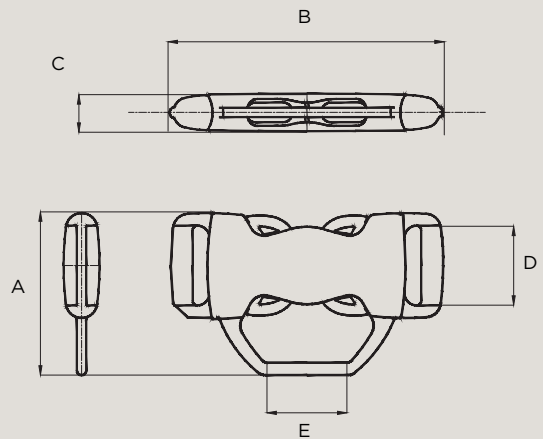
FIBBIE A 3 VIE 3 WAYS BUCKLES

F3W



SIZE	MAT.	A	B	C	D	E
25 mm	POM	68	71	13	26	25

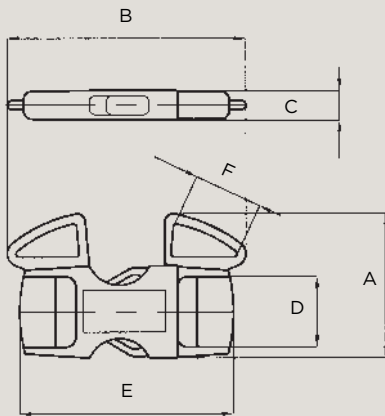
B3W



SIZE	MAT.	A	B	C	D	E
25 mm	POM	52	86	12	25	25.5
25/45 mm	POM	52	86	12	25	45

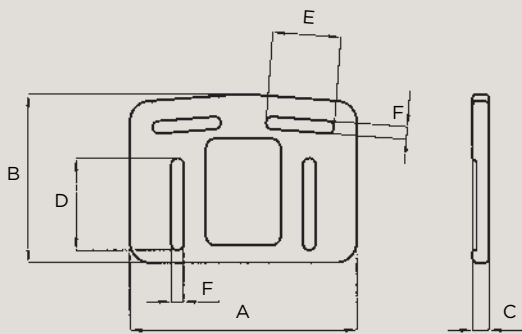
FIBBIE A 4 VIE 4 WAYS BUCKLES

700/4V



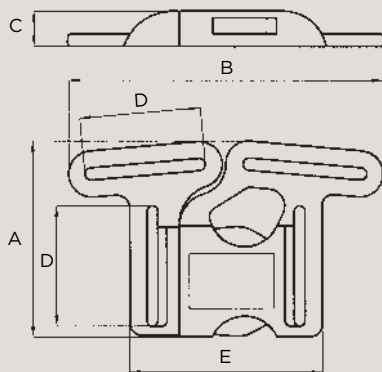
SIZE	MAT.	A	B	C	D	E	F
20 mm	POM	44	72.5	9	21.5	65	21

PA 22/4



SIZE	MAT.	A	B	C	D	E	F
16 mm	PA 6	55	41	4	22.5	16.5	3
22 mm	PA 6	55	41	4	22.5	22.5	3

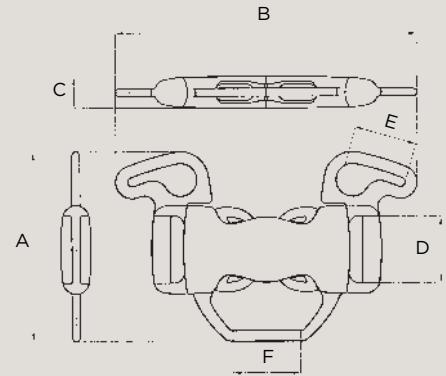
800/4V



SIZE	MAT.	A	B	C	D	E
40 mm	POM	63.5	101.5	12	39	62

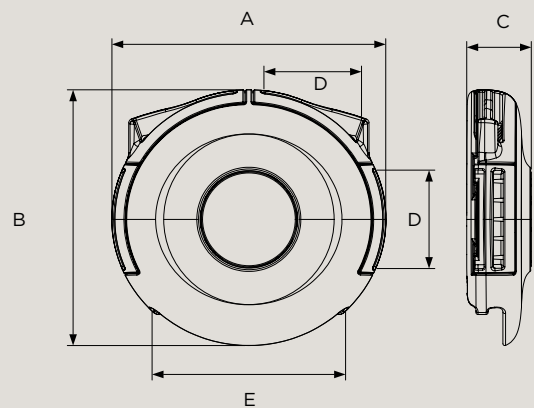
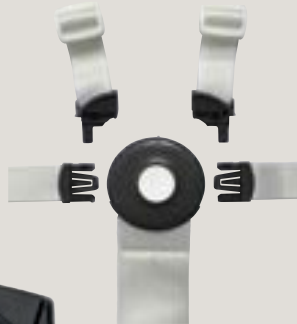
FIBBIE A 5 VIE 5 WAYS BUCKLES

F5W



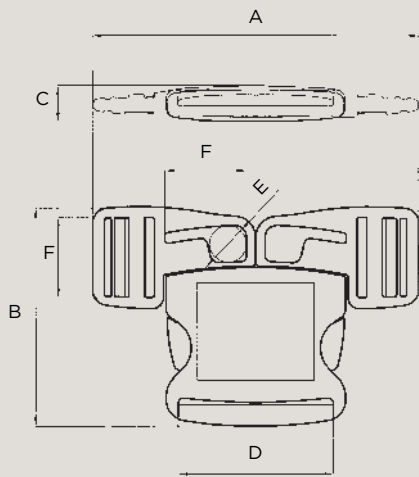
SIZE	MAT.	A	B	C	D	E	F
25 mm	POM	72	114	12	25	23.5	25.5
25/45 mm	POM	72	114	12	25	23.5	45
30 mm	POM	72.5	127	12	30.2	31.5	28.5

FCH/5W



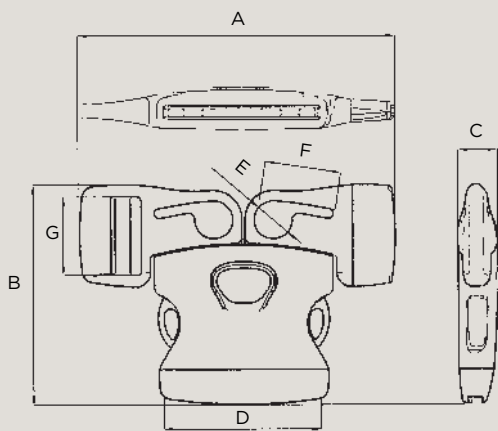
SIZE	MAT.	A	B	C	D	E
25 mm	POM	71	66.5	16.5	25	25
25/50 mm	POM	71	66.5	16.5	25	50

N5W



SIZE	MAT.	A	B	C	D	E	F
25/50 mm	POM	106	71.5	12	50	Ø12	26.5

SB



SIZE	MAT.	A	B	C	D	E	F	G
25/50 mm	POM	44	72.5	9	21.5	65	25.1	25.7



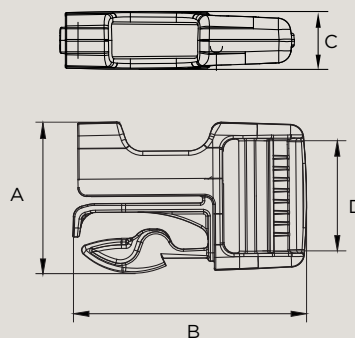
Fibbie a sgancio rapido - ROC/40

COMPONENTI MILITARI

MILITARY COMPONENTS

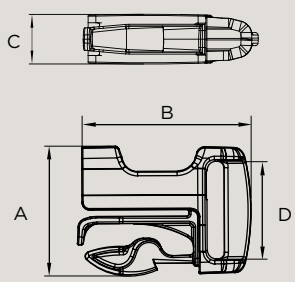
FIBBIE MILITARI MILITARY BUCKLES

WB/DR - HYBRID DOUBLE REGULATION
NEW



SIZE	MAT.	A	B	C	D
25 mm	POM	33	52.1	13	25.5

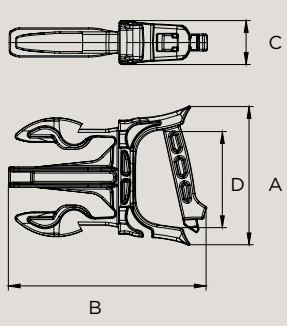
WB/SR - HYBRID SINGLE REGULATION
NEW



SIZE	MAT.	A	B	C	D
25 mm	POM	33	45	13	25.7

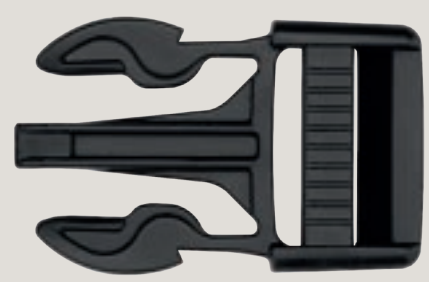
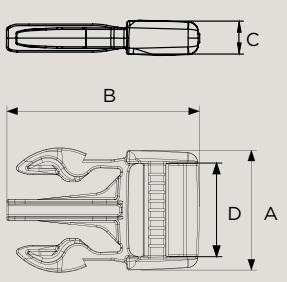
DUE EMME

WB/CL - CLICK IN
MALE



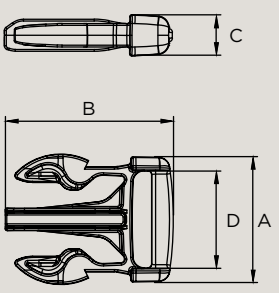
SIZE	MAT.	A	B	C	D
25 mm	POM	40	58	12.6	29

WB/DR - DOUBLE REGULATION
MALE



SIZE	MAT.	A	B	C	D
20 mm	POM	26.5	41.3	7.8	20.5
25 mm	POM	33.5	54.2	13.2	26
40 mm	POM	48	60.4	12.4	40.4

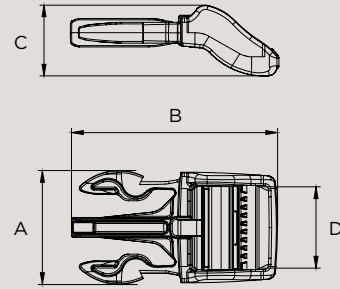
WB/SR - SINGLE REGULATION
MALE



SIZE	MAT.	A	B	C	D
25 mm	POM	33.5	45	13.2	25.8

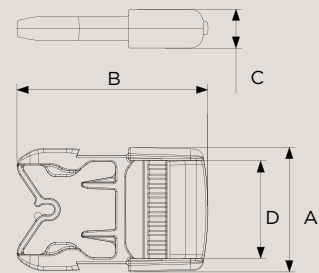
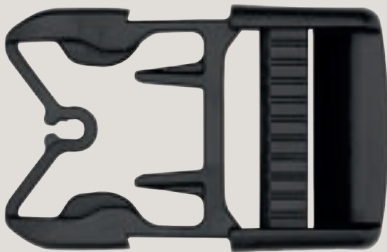
FIBBIE MILITARI MILITARY BUCKLES

WB/NS - NO SLIP
MALE



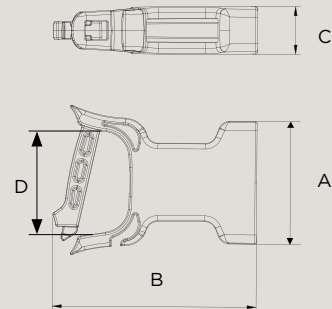
SIZE	MAT.	A	B	C	D
25 mm	POM	33.7	64	21	25.7

SRC
MALE



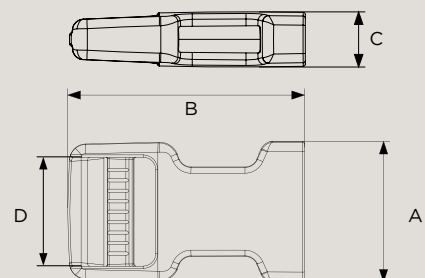
SIZE	MAT.	A	B	C	D
25 mm	POM	33	50.5	10.3	26

WB/CL - CLICK IN
FEMALE



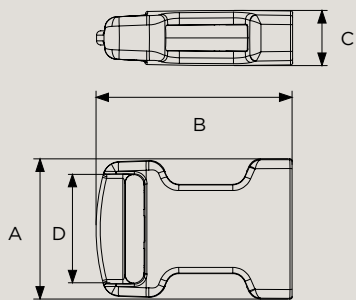
SIZE	MAT.	A	B	C	D
25 mm	POM	33.5	55.4	13.5	28

WB/DR - DOUBLE REGULATION
FEMALE



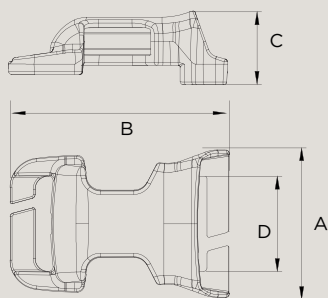
SIZE	MAT.	A	B	C	D
25 mm	POM	33.5	56	13.5	25.4

WB/SR - SINGLE REGULATION
FEMALE



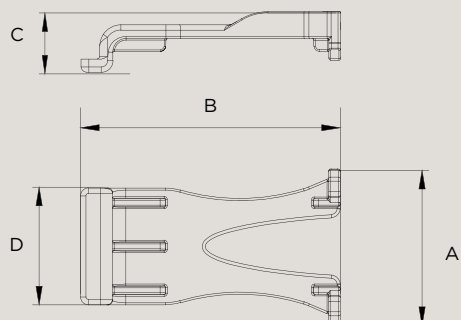
SIZE	MAT.	A	B	C	D
20 mm	POM	26.8	37.3	9.3	20.5
25 mm	POM	33.5	46.2	13.5	25.8
40 mm	POM	48.5	53.7	14	40.5

SRC/WB
FEMALE



SIZE	MAT.	A	B	C	D
25 mm	POM	41	58	20	26

SRC/WB BP - BACK PLATE



SIZE	MAT.	A	B	C	D
25 mm	POM	29	49	11	22

*BP - UTILIZZABILE SOLO IN COMBINAZIONE CON SRC/WB FEMMINA |
TO BE USED ONLY IN COMBINATION WITH SRC/WB FEMALE

FULL COMPATIBILITY

FULL COMPATIBILITY OF THE WB/25 MM SIZE RANGE, CHECK BELOW FOR ALL POSSIBILITIES:

DOUBLE REGULATION | SINGLE REGULATION | CLICK IN | NO SLIP | MOLLE ATTACK | QUICK RELEASE

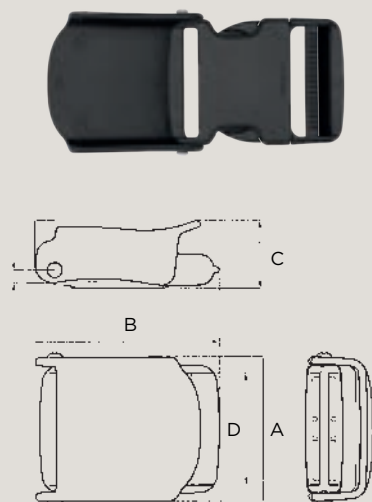
MALES

FEMALES

	WB/CL	WB/DR	WB/SR	WB/NS	SRC
SRC/WB					
WB/CL					
WB/DR					
WB/SR					

FIBBIE MILITARI MILITARY BUCKLES

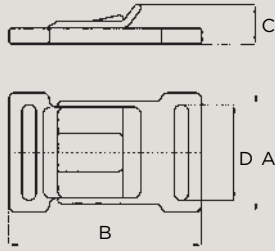
795/CFM



* POSSIBILE PERSONALIZZAZIONE CON LOGO IN METALLO | POSSIBLE CUSTOMIZATION WITH METAL LOGO

SIZE	MAT.	A	B	C	D
50 mm	PA 6	65.5	83.3	30.7	51

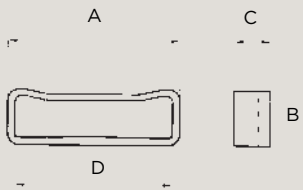
FM



SIZE	MAT.	A	B	C	D
40 mm	POM	49.5	81	16.5	40
55 mm	POM	67.5	81.5	16.5	57.3

DUE EMME

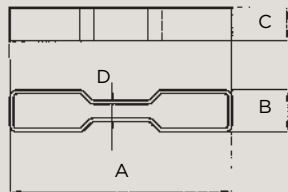
PASSANTI LOOPS



PSM/50



SIZE	MAT.	A	B	C	D
50 mm	PA 6	56.7	18.4	12	52

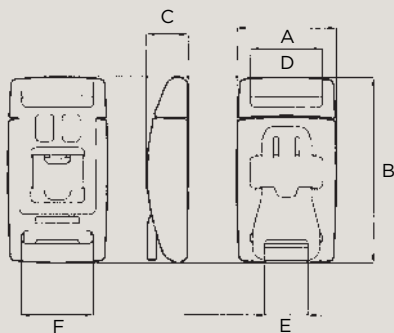


PSM/56



SIZE	MAT.	A	B	C	D
56 mm	POM	60	11.5	9	4

FIBBIE A SGANCIO RAPIDO QUICK RELEASE BUCKLES



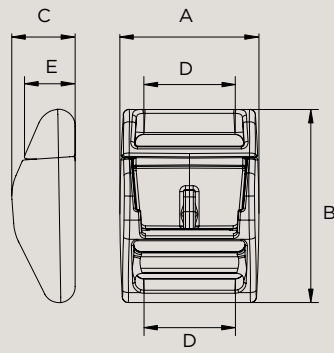
SRS/25



SIZE	MAT.	A	B	C	D	E	F
25 mm	POM	36	67.5	15	26	16.6	26

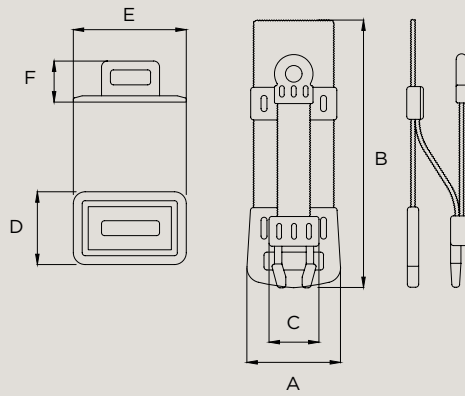
FIBBIE A SGANCIO RAPIDO QUICK RELEASE BUCKLES

QR
NEW



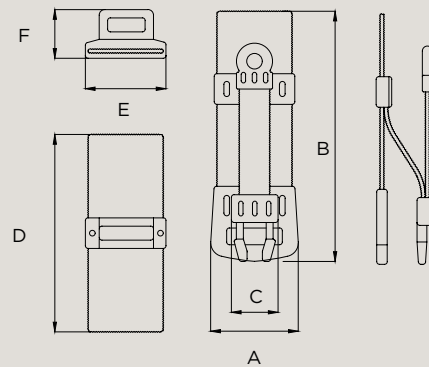
SIZE	MAT.	A	B	C	D	E
25 mm	POM	36	53.5	16.8	25.5	13

SR/1



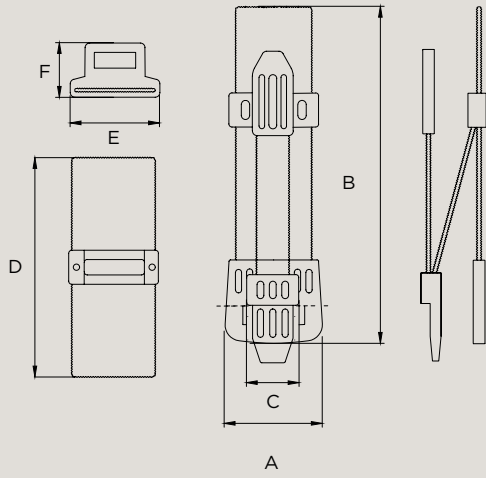
SIZE	MAT.	A	B	C	D	E	F
25 mm	PA 6	31.5	90	16.8	24.5	38	14

SR/2



SIZE	MAT.	A	B	C	D	E	F
25 mm	PA 6	31.5	90	16.8	71	29	17.5

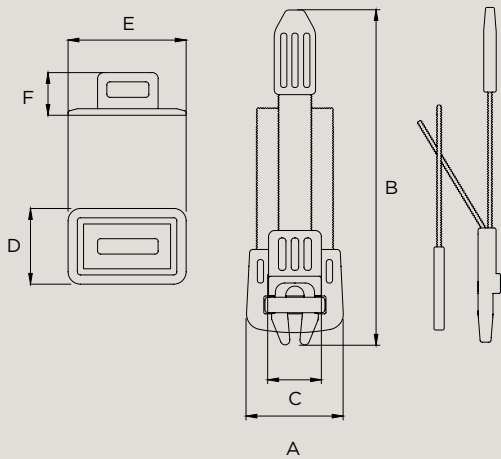
SR/3



SIZE	MAT.	A	B	C	D	E	F
25 mm	PA 6	31.5	111	16.7	71	29	16.7

DUE EMME

SR/5



SIZE	MAT.	A	B	C	D	E	F
25 mm	PA 6	31.5	106	17	24.5	38	14

FIBBIE A SGANCIO RAPIDO QUICK RELEASE BUCKLES

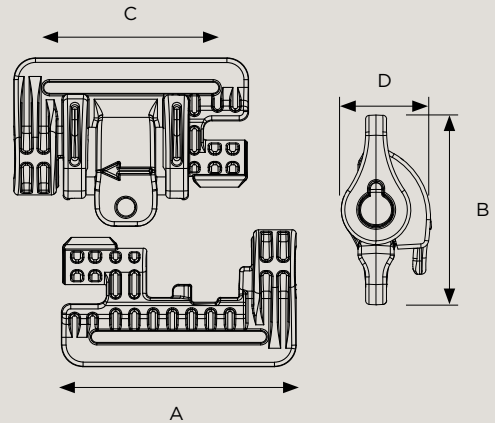
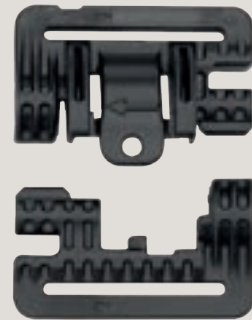
ROC/40



SX - LEFT PART



DX - RIGHT PART



* ARTICOLO VENDUTO IN COPPIA, PARTE DX + PARTE SX |
ITEM SOLD IN PAIRS, RIGHT PART + LEFT PART

SIZE	MAT.	A	B	C	D
40 mm	POM	55	47	41	22.1

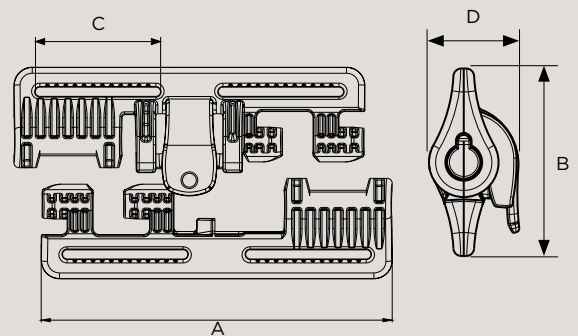
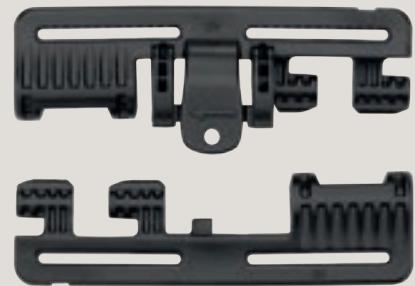
ROC/80



SX - LEFT PART



DX - RIGHT PART

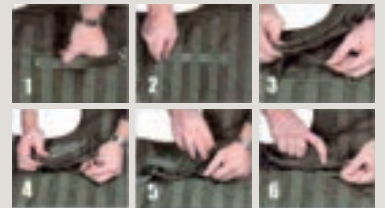
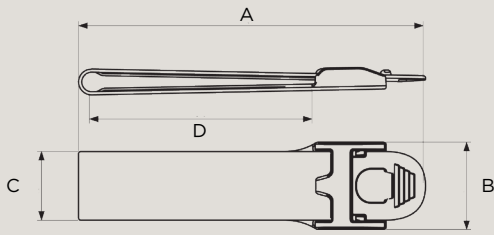


* ARTICOLO VENDUTO IN COPPIA, PARTE DX + PARTE SX |
ITEM SOLD IN PAIRS, RIGHT PART + LEFT PART

SIZE	MAT.	A	B	C	D
80 mm	POM	115	48	41	22.4

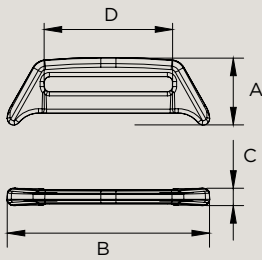
COMPONENTI MOLLE MOLLE SYSTEMS

MOLLE SYSTEM



SIZE	MAT.	A	B	C	D
60 mm	GTR	98.2	30	23.6	60.2
75 mm	GTR	114.2	30	23.6	76.2
125 mm	GTR	164.2	30	23.6	126.2

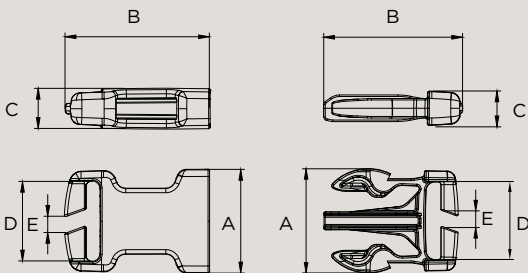
MOLLE CLIP



SIZE	MAT.	A	B	C	D
25 mm	POM	13	40	3.5	25

ACCESSORI RICAMBIO RAPIDO SPLIT-BAR ITEMS

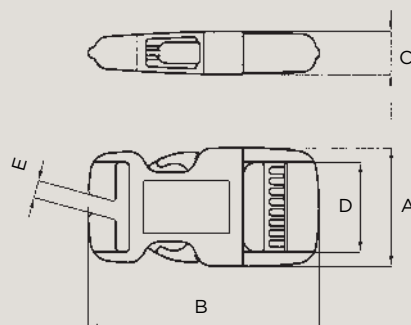
WB/BC MALE+FEMALE



SIZE	MAT.	A	B	C	D	E
WB/BC FEMALE	POM	33.4	45	12	25.8	5
WB/BC MALE	POM	33.8	47	13.2	25.8	5

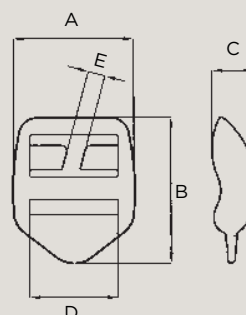
ACCESSORI RICAMBIO RAPIDO SPLIT-BAR ITEMS

795/FC



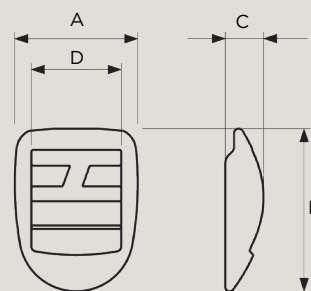
SIZE	MAT.	A	B	C	D	E
20 mm	POM	27.5	55.5	10	21	4
25 mm	PA 6	34	67	12.5	26	5
40 mm	PA 6	48	76	15.5	41	5

LS/BC



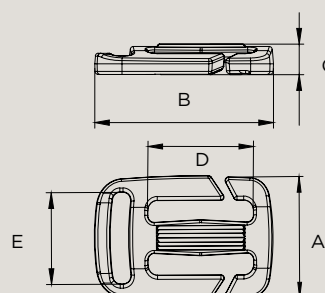
SIZE	MAT.	A	B	C	D	E
25 mm	PA 6	34.5	42	12	25.5	5

ASN/BC



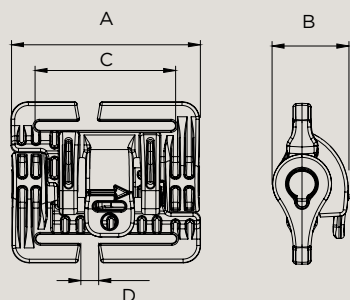
SIZE	MAT.	A	B	C	D
20 mm	PA 6	28	37.5	9	21

SCM/BC



SIZE	MAT.	A	B	C	D	E
20 - 25 mm	POM	27.2	42.5	7	25.2	20.2

ROC/40 BC



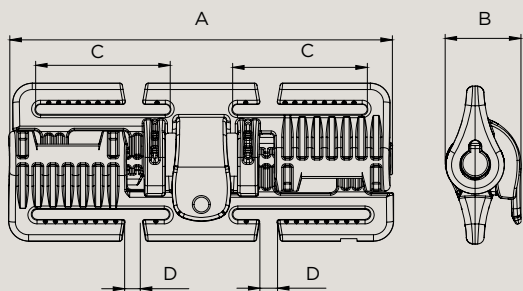
SX - LEFT PART

DX - RIGHT PART

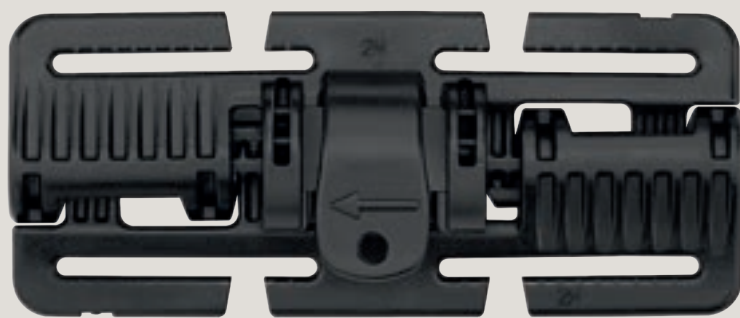
SIZE	MAT.	A	B	C	D
40 mm	POM	54.5	22	40.5	4.8

* ARTICOLO VENDUTO IN COPPIA, PARTE DX + PARTE SX |
ITEM SOLD IN PAIRS, RIGHT PART + LEFT PART

ROC/80 BC



SX - LEFT PART

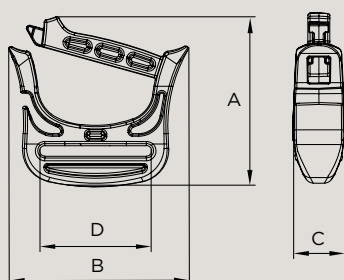


DX - RIGHT PART

SIZE	MAT.	A	B	C	D
80 mm	POM	114	20	40.5	4.8

* ARTICOLO VENDUTO IN COPPIA, PARTE DX + PARTE SX |
ITEM SOLD IN PAIRS, RIGHT PART + LEFT PART

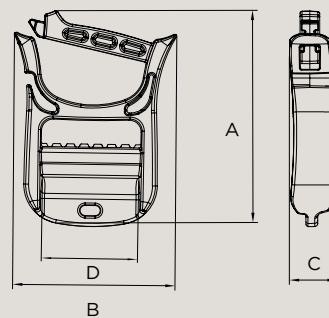
LOOP/CL - CLICK IN



SIZE	MAT.	A	B	C	D
25 mm	POM	37.8	37.2	12	25.7

ACCESSORI RICAMBIO RAPIDO SPLIT-BAR ITEMS

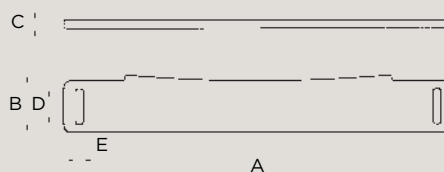
LM/CL - CLICK IN



SIZE	MAT.	A	B	C	D
25 mm	POM	55.2	38	11.6	25.4

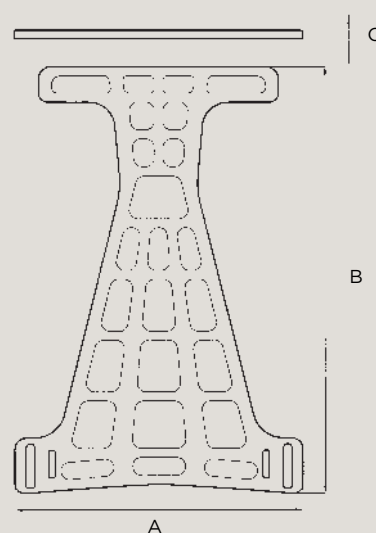
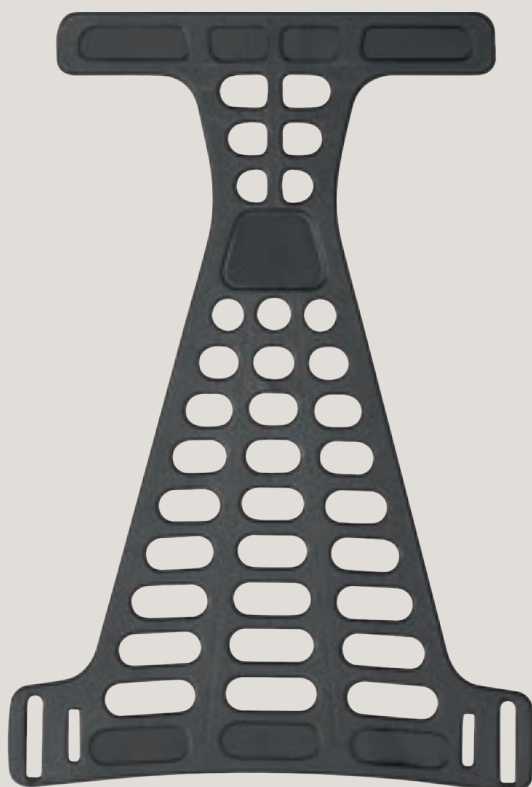
BASTINI BACK-PACKS FRAMES

STM



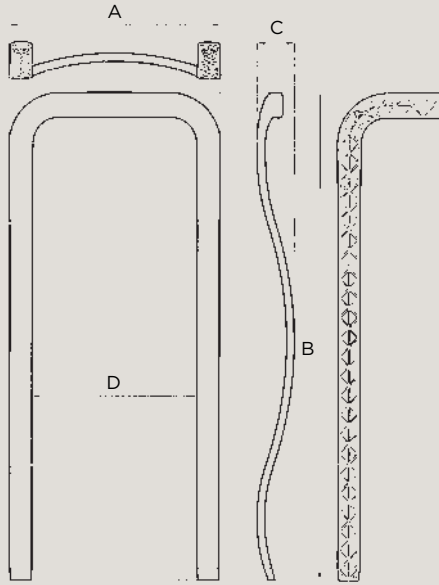
SIZE	MAT.	A	B	C	D	E
--	PA 6	345	50	7.5	31	7.1

BM



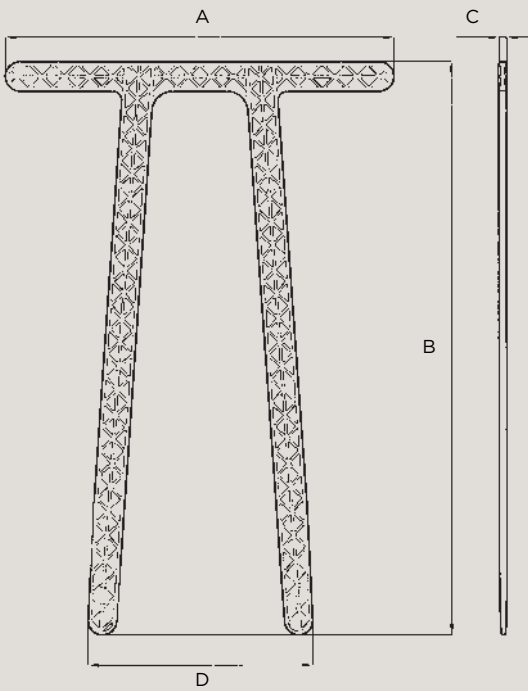
SIZE	MAT.	A	B	C
--	PA 6/GF	331	492	10

ARM



SIZE	MAT.	A	B	C	D	E
--	PA 6/GF	63.5	101.5	12	39	62

BPM

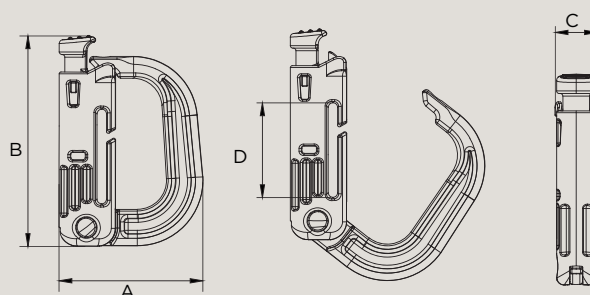


SIZE	MAT.	A	B	C	D
--	PA 6/GF	330	490	6.5	191

ACCESSORI VARI VARIOUS COMPONENTS

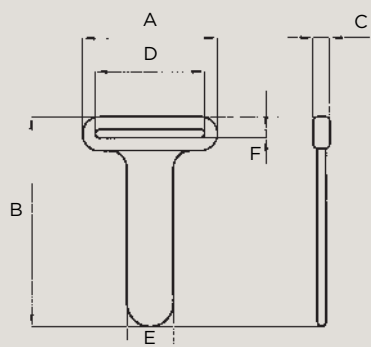
MASSLOCK

NEW



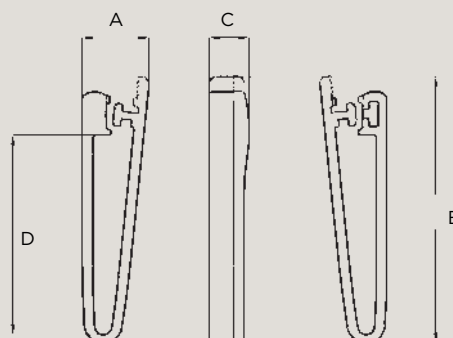
SIZE	MAT.	A	B	C	D
25 mm	POM	39.4	58.2	11.8	26

TEE BAR



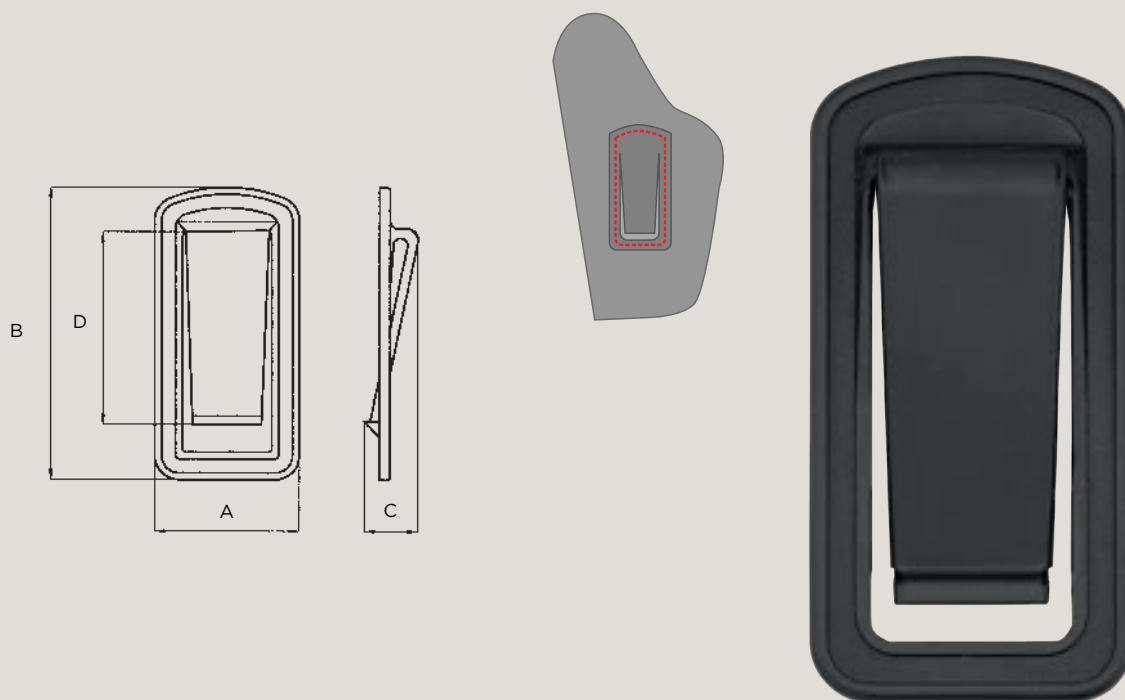
SIZE	MAT.	A	B	C	D	E	F
25 mm	PA 6	31.5	49.5	3.9	25.6	10.9	2

ATM



SIZE	MAT.	A	B	C	D
55 mm	PA 6	19.2	76.8	11.5	57.5

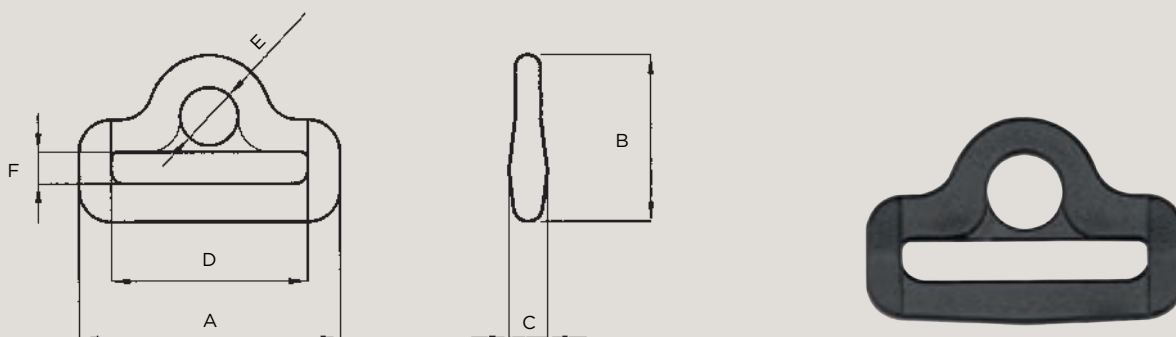
GPP



SIZE	MAT.	A	B	C	D
50 mm	PA 6.6	42	85	15.5	56

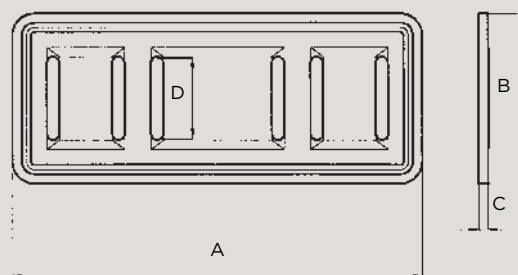
DUE EMME

RCF



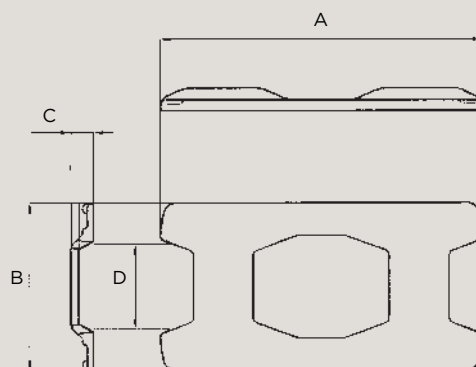
SIZE	MAT.	A	B	C	D	E	F
30 mm	PA 6	40.5	26	6	30.5	Ø9	5

PC6L



SIZE	MAT.	A	B	C	D
25 mm	GTR	132	55	3	26

PORTE SKY



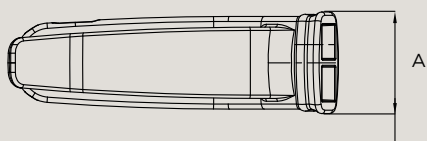
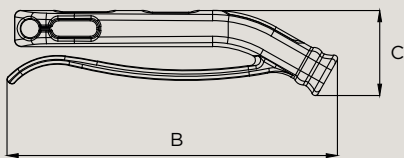
SIZE	MAT.	A	B	C	D
25 mm	GTR	97	50	6.8	25.5



Componenti nautica - CPR/25

COMPONENTI NAUTICA

MARINE COMPONENTS



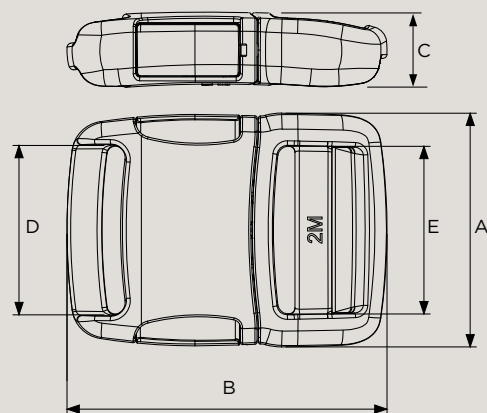
LJW2



SIZE	MAT.	A	B	C
--	PP	22.5	73.1	18.8

 LJW2 - CERTIFICATA ENI ISO 12402-8 | CERTIFIED ENI ISO 12402-8

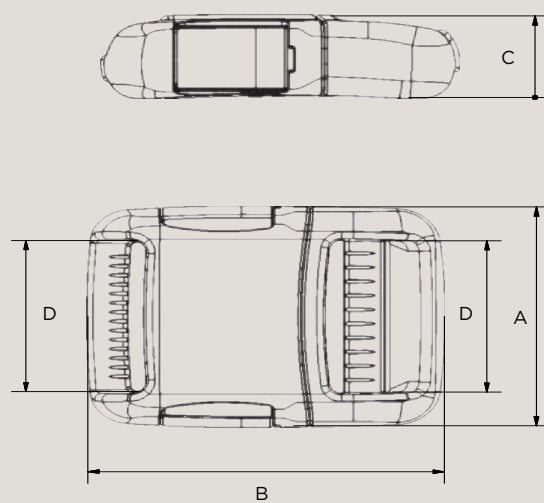
HB



SIZE	MAT.	A	B	C	D	E
40 mm	PA 6.6/GF+POM	56.4	77.5	17.6	41	40.1

* HB/40 CERTIFICATA ENI ISO 12402-7 | CERTIFIED ENI ISO 12402-7

SHB



SIZE	MAT.	A	B	C	D
40 mm	PA 6.6/GF+POM	60	79	22.6	41.6

* SHB/40 CERTIFICATA ENI ISO 12402-7 | CERTIFIED ENI ISO 12402-7

ACCESSORI CERTIFICATI ENI ISO 12402-7

ISO 12402-7 RANGE OF PRODUCTS



SIZE	MAT.
25 mm	POM



CRP/25

SIZE	MAT.
30 mm	POM



SSL/30

SIZE	MAT.
40 mm	POM



CR/40





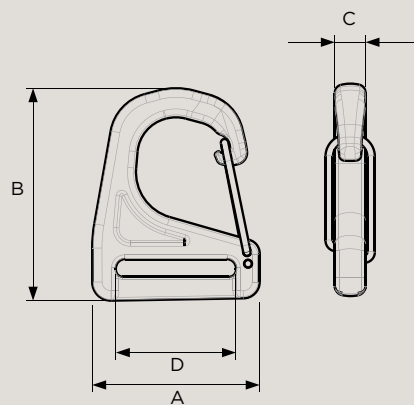
Moschettoni rotanti - SMH Swivel metal hook

MOSCHETTONI

SNAP HOOKS

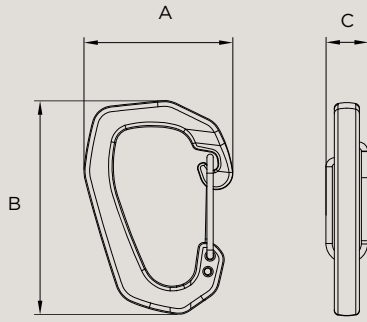
MOSCHETTONI SEMPLICI SNAP HOOKS

MCS
NEW



SIZE	MAT.	A	B	C	D
25 mm	PA 6/GF+INOX	36	45.65	6.6	25.8

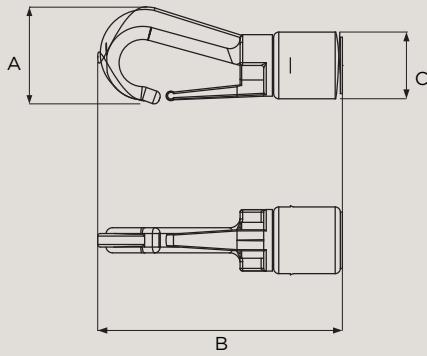
MAC
NEW



SIZE	MAT.	A	B	C
--	PA/GF+INOX	38.5	54.5	10.4

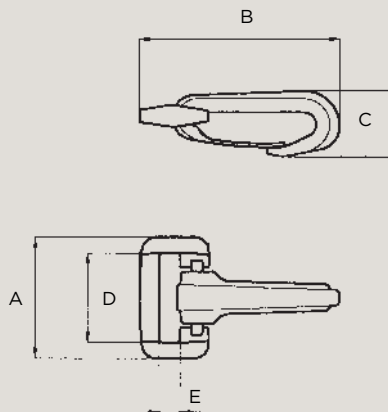
DUE EMME

ECH



SIZE	MAT.	A	B	C
5 mm	PA 6.6	18.1	47.1	Ø 13
8 mm	PA 6.6	27.8	70	Ø 19

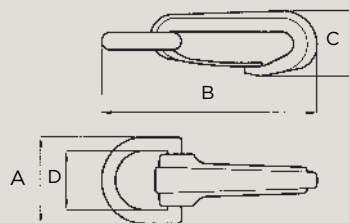
MS



SIZE	MAT.	A	B	C	D	E
20 mm	PA 6	31	58	19	21	6
25 mm	PA 6	35	58	19	26	6
30 mm	PA 6	41.5	58	19	31.5	6
35 mm	PA 6	46.5	58	19	35	6
40 mm	PA 6	52	58	19	42	6
50 mm	PA 6	60	58	19	51	6

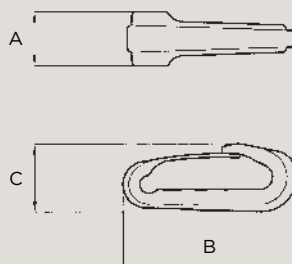
MOSCHETTONI SEMPLICI SNAP HOOKS

MST



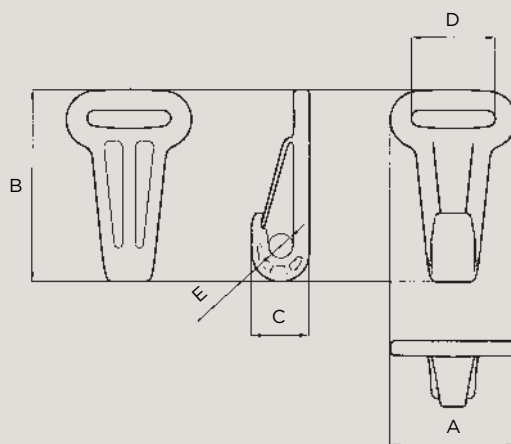
SIZE	MAT.	A	B	C	D
15 mm	PA 6	25	62.5	19	17

MPM



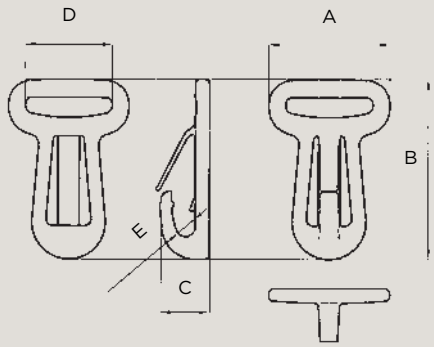
SIZE	MAT.	A	B	C
--	PA 6	15	48.5	19

MMP



SIZE	MAT.	A	B	C	D	E
25 mm	PA 6.6	39	60	18	26	Ø 7.7

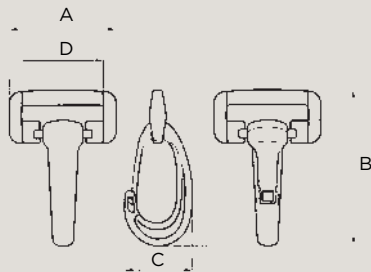
GM



SIZE	MAT.	A	B	C	D	E
25 mm	POM	36	54	14.6	26	Ø 6

DUE EMME

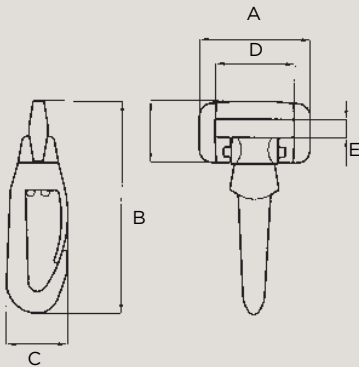
NHR



SIZE	MAT.	A	B	C	D
20 mm	PA 6	30	58.6	25.5	21
25 mm	PA 6	35	58.6	25.5	26
30 mm	PA 6	40	58.6	25.5	31
40 mm	PA 6	50	58.6	25.5	41
50 mm	PA 6	59.5	60	25.5	50.3

MOSCHETTONI ROTANTI SWIVEL SNAP HOOKS

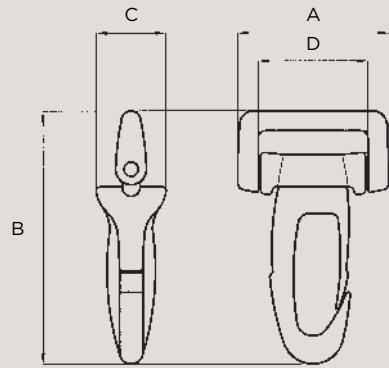
MR



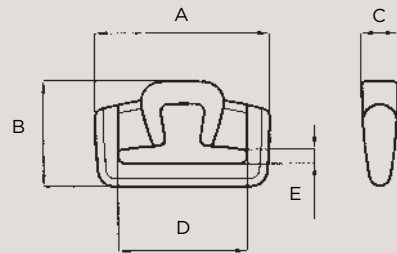
SIZE	MAT.	A	B	C	D	E
20 mm	PA 6	32	69	20	22	6
25 mm	PA 6	36	69	20	26	6
30 mm	PA 6	41.5	69	20	31.5	6
40 mm	PA 6	51.5	69	20	41.5	6
50 mm	PA 6	59.5	71	20	50	6

MOSCHETTONI ROTANTI SWIVEL SNAP HOOKS

TSH-RH

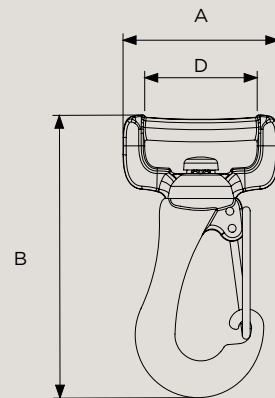
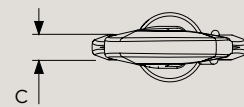


SIZE	MAT.	A	B	C	D
30 mm	PA 6.6	42	70.5	Ø 18	30.5
40 mm	PA 6.6	52	70.5	Ø 18	40.5



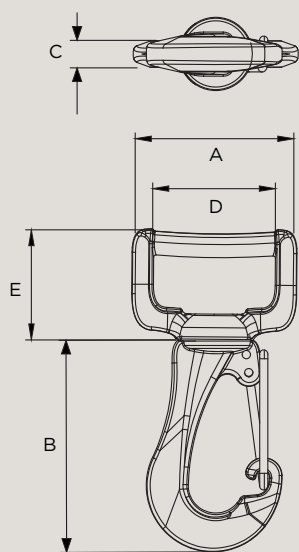
SIZE	MAT.	A	B	C	D	E
30 mm	PA 6.6	41.5	25	8.8	31	3.5
40 mm	PA 6.6	51.6	26	8.8	40.8	3.5

SMH



SIZE	MAT.	A	B	C	D
25 mm	PA 6+INOX	32	65.3	6	26
40 mm	PA 6+INOX	52	66.3	6.5	41

SMH LARGE
NEW

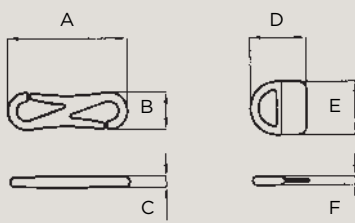


SIZE	MAT.	A	B	C	D	E
25 mm	PA 6+INOX	36	46.3	6	26	23.5

DUE EMME

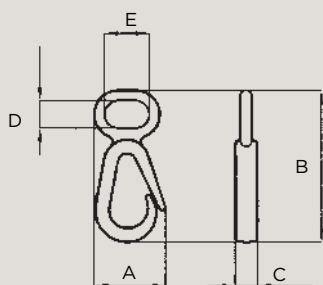
MOSCHETTONI PER GUANTI GLOVES HOOKS

MPG



SIZE	MAT.	A	B	C	D	E	F
10 mm	PA 6	32	10	3	15	14.5	2.3

ML/8



SIZE	MAT.	A	B	C	D	E
10 mm	PA 6	15.8	34.2	4.9	6.2	10



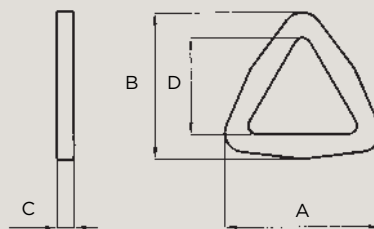
Semianelli - SA

ANELLI E PASSANTI

RINGS&LOOPS

TRIANGOLI TRIANGLES

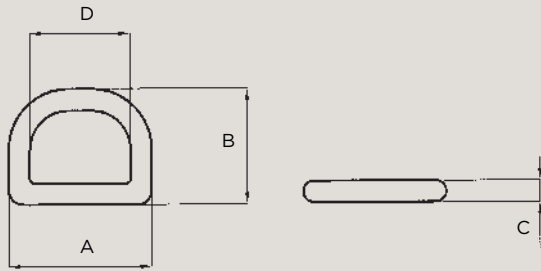
TR



SIZE	MAT.	A	B	C	D
10 mm	POM	14.5	14.4	2.3	9
15 mm	PA 6	25	24	4	15
20 mm	PA 6	32.5	30.5	4.4	20.2
25 mm	PA 6	39.4	37.2	4.3	25.2
30 mm	PA 6	39.4	37.2	4.3	30
40 mm	PA 6	49	46	4.5	40

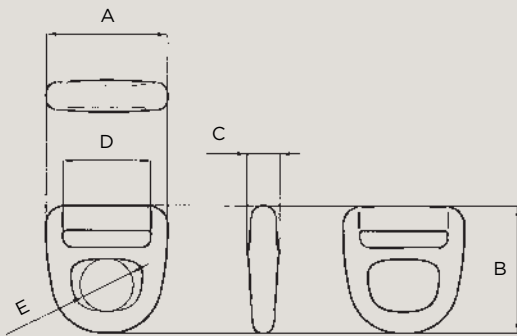
SEMIANELLI D-RINGS

SA



SIZE	MAT.	A	B	C	D
15 mm	PA 6	25	23	4.6	15.5
20 mm	PA 6	31.5	29.8	5.5	20.8
25 mm	PA 6	37	30	5.5	26
30 mm	PA 6	40.5	30	6	30
40 mm	PA 6	50.2	30.7	6.2	40
50 mm	PA 6	64	38	6.2	51.3

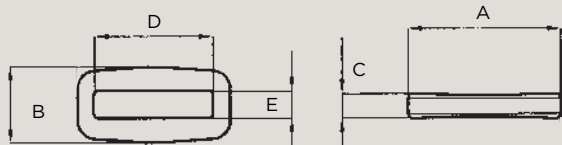
MAP



SIZE	MAT.	A	B	C	D	E
20 mm	PA 6	29	33	7	20.6	Ø16.2
25 mm	PA 6	35.8	38	9.5	26	Ø15.7

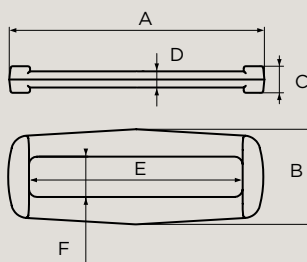
ANELLI RETTANGOLARI SQUARE LOOPS

OS



SIZE	MAT.	A	B	C	D	E
12 mm	PA 6	19.4	10.5	3.1	12.8	4
15 mm	PA 6	22.8	11	3.3	15.8	4
20 mm	PA 6	27.8	14.5	4.5	20.7	6
25 mm	PA 6	33.3	16.2	5.3	25.7	6
28 mm	PA 6	34.5	17.5	5.3	28	6.5
30 mm	PA 6	38.7	17.8	5.2	30.7	6
40 mm	PA 6	50.3	20.5	5.6	40.9	7.4
50 mm	PA 6	61	21.3	6	50.7	7.8

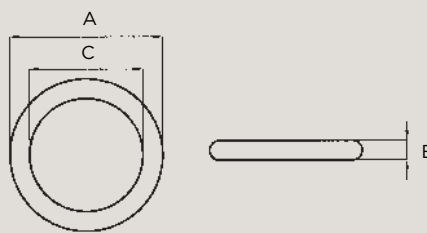
OS/50 - LARGE



SIZE	MAT.	A	B	C	D	E	F
50 mm	PA 6	63.3	23.6	6.6	10	53	10

ANELLI TONDI RINGS

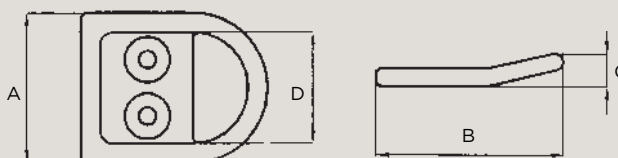
0



SIZE	MAT.	A	B	C
20 mm	PA 6	Ø39	5.7	Ø27.8
30 mm	PA 6	Ø49	6.3	Ø36.2
40 mm	PA 6	Ø58.8	7.3	Ø43.5

ATTACCHI LATERALI SIDE ATTACKS

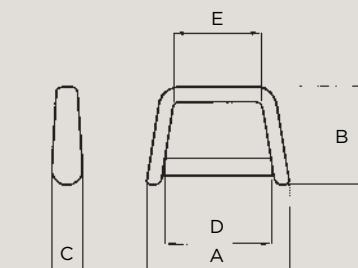
AL



SIZE	MAT.	A	B	C	D
25 mm	PA 6	34.5	43.2	7.5	25.5
30 mm	PA 6	41	52	7.5	30

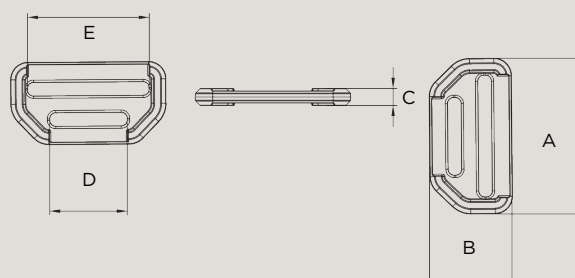
RIDUTTORI REDUCERS

RD



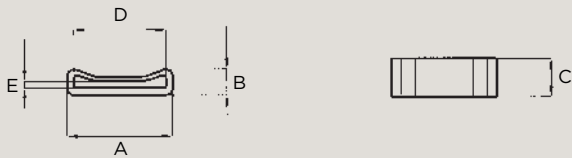
SIZE	MAT.	A	B	C	D	E
25/20 mm	PA 6	35	28	8.8	25	20
30/25 mm	PA 6	40.5	28	8.6	30.3	25
35/30 mm	PA 6	45.5	28	8	35.3	30

RED 25/40
NEW



SIZE	MAT.	A	B	C	D	E
25/40 mm	PA 6	52	28	6	26	41

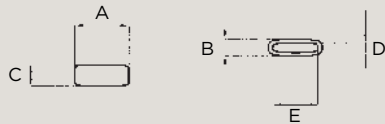
PASSANTI LOOPS



PSN



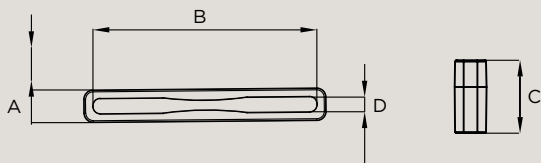
SIZE	MAT.	A	B	C	D	E
20 mm	GTR	25	6.7	10.8	21.2	1.9
25 mm	GTR	29.8	7.3	10.8	26	1.9
30 mm	GTR	35.5	8.8	12	30.7	1.9
40 mm	GTR	45.5	9.1	12	40.8	1.9
50 mm NEW	GTR	56	10.6	12.5	51	1.6



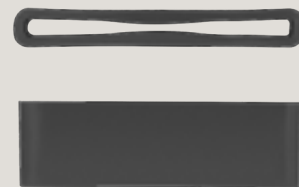
PSN 16/18



SIZE	MAT.	A	B	C	D	E
16/18 mm	GTR	20	6.5	8	16.8	3.8

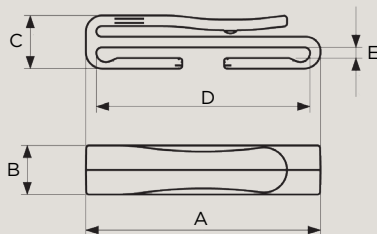


PST
NEW



SIZE	MAT.	A	B	C	D
45 mm	GTR	6.7	48	15.5	3.2

PASSANTI APERTI OPEN LOOPS

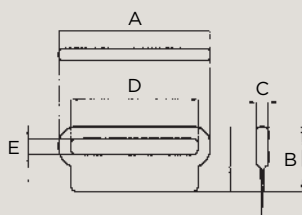


PSA/50



SIZE	MAT.	A	B	C	D	E
50 mm	POM	56	12	13	51	2.6

PASSANTI CUCIBILI SEWABLE LOOPS



PSL



SIZE	MAT.	A	B	C	D	E
25 mm	PA 6	33.1	23.6	3.8	25.5	6
35 mm	PA 6	43.6	25.1	4	35.5	6.1
40 mm	PA 6	48	33.5	4	40.2	6
50 mm	PA 6	60.4	26.1	4.8	51	6



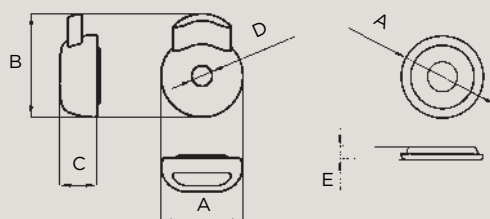
Fermacorda a molla - F3

FERMACORDA

CORDLOCKS

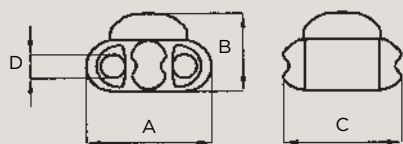
FERMACORDA A MOLLA SPRING CORDLOCKS

RING



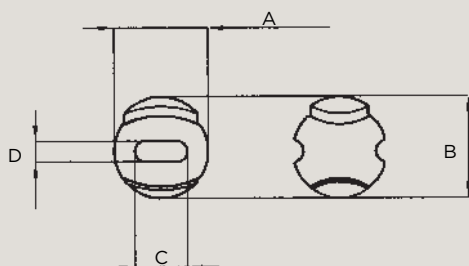
SIZE	MAT.	A	B	C	D	E
Ø5 mm	PA 6	Ø 22	27.8	10	Ø5.5	3.5

BATMAN



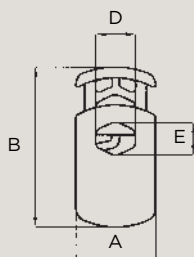
SIZE	MAT.	A	B	C	D
Ø5 mm	PA 6	25.5	16	24	Ø 5

BALL




SIZE	MAT.	A	B	C	D
10x4 mm	PA 6	Ø 18	19.5	10.1	4

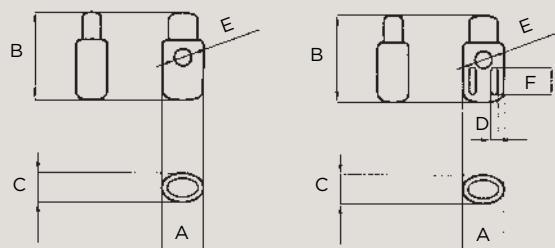
ECO/01



SIZE	MAT.	A	B	C	D	E
Ø5 mm	POM	12	24	8.5	6	5

 MOLLA IN PLASTICA | PLASTIC SPRING

LITTLE

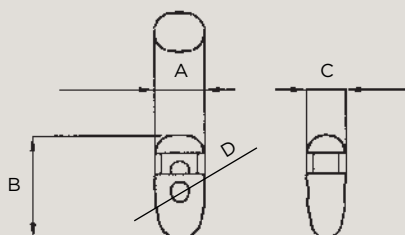


LITTLE

LITTLE/3

SIZE	MAT.	A	B	C	D	E	F
LITTLE - Ø5 mm	PA 6	12	25.5	8.5		Ø 5	
LITTLE/3 - Ø5 mm	PA 6	12	25.5	8.5	2	Ø 5	8

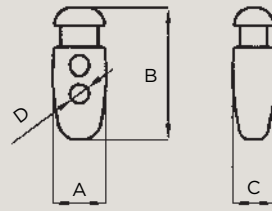
DROP



SIZE	MAT.	A	B	C	D
Ø3.5 mm	PA 6	9.5	20	7.5	Ø 3.5

FERMACORDA A MOLLA SPRING CORDLOCKS

DROP/2



SIZE	MAT.	A	B	C	D
Ø3.5 mm	PA 6	10	25	8	Ø 3.5

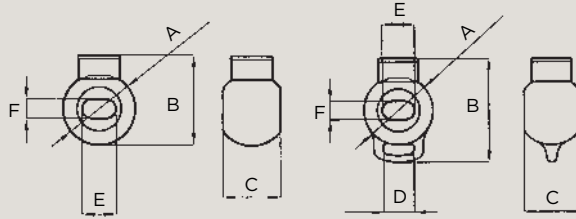
PICK UP



PICK UP/F10

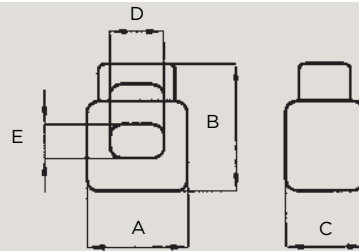


PICK UP/P



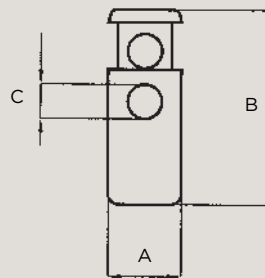
SIZE	MAT.	A	B	C	D	E	F
PICK UP/P - 8x5 mm	PA 6	Ø 18	22.5	14		8.4	5
PICK UP/F10 - 8x5 mm	PA 6	Ø 18	27	14	8	8.4	5

PICK UP/M



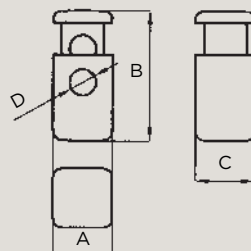
SIZE	MAT.	A	B	C	D	E
9x6 mm	PA 6	17.5	22	13.5	9.5	6

PICK UP/GN



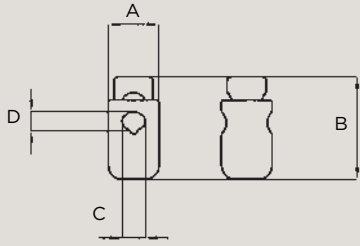
SIZE	MAT.	A	B	C
Ø7.5 mm	PA 6	Ø 16	42.5	Ø 7.5

BLOK



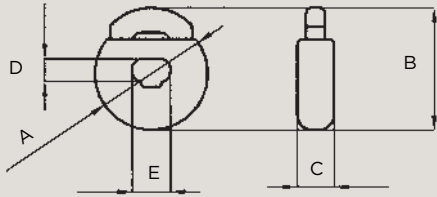
SIZE	MAT.	A	B	C	D
Ø5.5 mm	PA 6	13	28.8	13	Ø 5.8

JAP



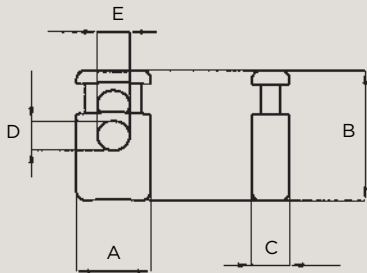
SIZE	MAT.	A	B	C	D
Ø5 mm	PA 6	Ø 13	26.5	6	5

POLO



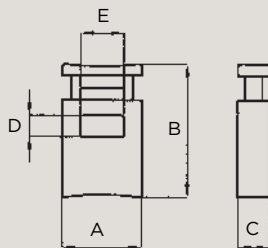
SIZE	MAT.	A	B	C	D	E
8x5 mm	PA 6	Ø 23	24.9	7.4	4.6	7.8

FC2



SIZE	MAT.	A	B	C	D	E
6x7 mm	PA 6	16.4	28.8	8.4	6.5	7.2

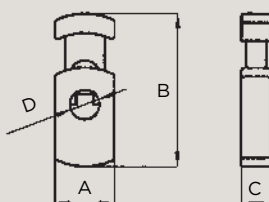
NYCORD



SIZE	MAT.	A	B	C	D	E
10x5 mm	POM	18.4	31	7.3	5	10

 MOLLA IN PLASTICA | PLASTIC SPRING

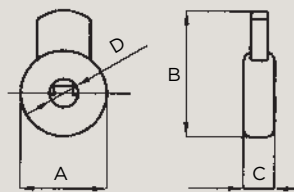
MICRO



SIZE	MAT.	A	B	C	D
Ø6 mm	PA 6	12	31	6	Ø 6

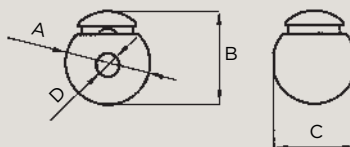
FERMACORDA A MOLLA SPRING CORDLOCKS

FLAT



SIZE	MAT.	A	B	C	D
Ø6 mm	PA 6	Ø 18	26.5	6.5	Ø 6

SFERA



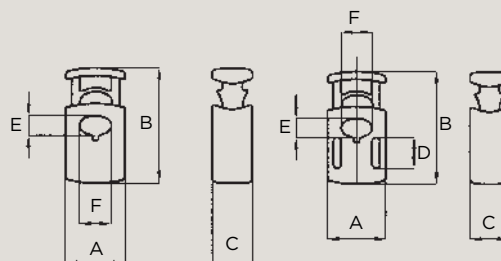
SIZE	MAT.	A	B	C	D
Ø5 mm	PA 6	Ø 18	20	17.5	Ø 5

F1 - F3



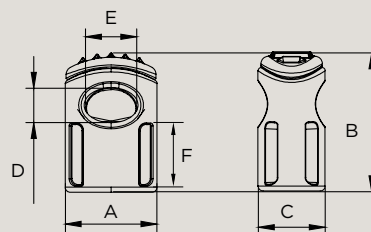
F1

F3



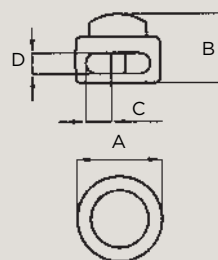
SIZE	MAT.	A	B	C	D	E	F
F1 - 8x5 mm	PA 6	15	29	10	5	8	8
F3 - 8x5 mm	PA 6	15	29	10	8	5	8

F4/M - MILITARY



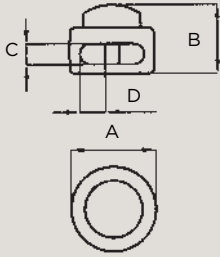
SIZE	MAT.	A	B	C	D	E	F
8x5 mm	POM	14.4	21.7	10.7	5.1	7.7	9.65

DISCO



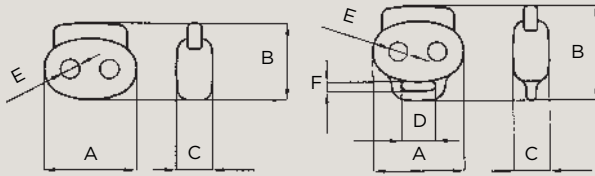
SIZE	MAT.	A	B	C	D
Ø5 mm	PA 6	Ø18.5	15	5.5	4.5

DISCO/SM



SIZE	MAT.	A	B	C	D
Ø3.5 mm	PA 6	Ø15	11	4.5	3.5

DOUBLE

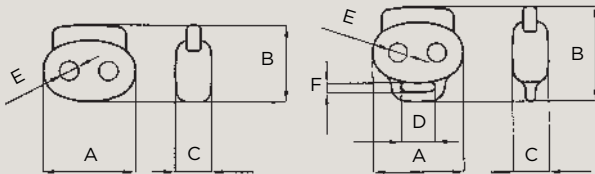


SIZE	MAT.	A	B	C	D	E	F
DOUBLE - Ø5 mm	PA 6	24	20	9.2	9	Ø 5	2.5
DOUBLE/P10 - Ø5 mm	PA 6	24	25	9.2	9	Ø 5	2.5

DOUBLE

DOUBLE P10

DOUBLE/SM

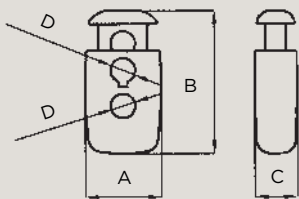


SIZE	MAT.	A	B	C	D	E	F
DOUBLE SM - Ø3.5 mm	PA 6	20	17.5	7	8	Ø 3.5	2
DOUBLE SM/P10 - Ø3.5 mm	PA 6	20	21.5	7	8	Ø 3.5	2

DOUBLE/SM

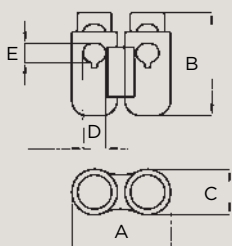
DOUBLE SM/P10

FV2



SIZE	MAT.	A	B	C	D
Ø 5.5 mm	POM	17	32	9.5	Ø5.5

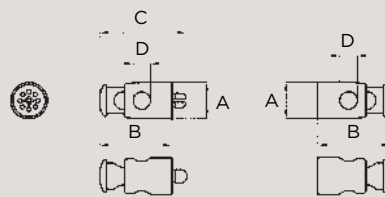
JP/2



SIZE	MAT.	A	B	C	D	E
Ø5 mm	PA 6.6	26	27	12	6	5

FERMACORDA A MOLLA SPRING CORDLOCKS

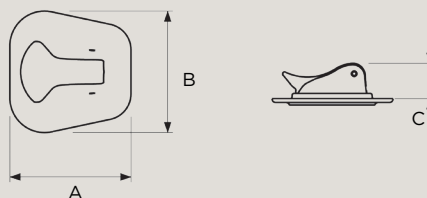
TWINS



SIZE	MAT.	A	B	C	D
Ø6 mm	PA 6	Ø12.5	25	30	Ø 6

FERMACORDA A SPORTELLO CAM CORDLOCKS

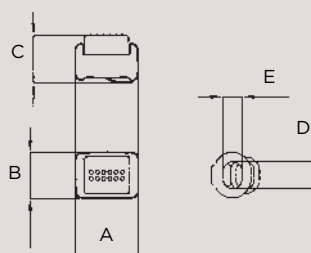
SCS/3



SIZE	MAT.	A	B	C
Ø2 mm	PA 6	35	35	10.2

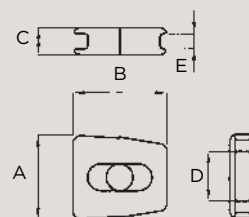
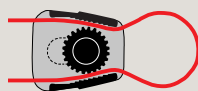
FERMACORDA A FRIZIONE FRICTION CORDLOCKS

TUBE/5



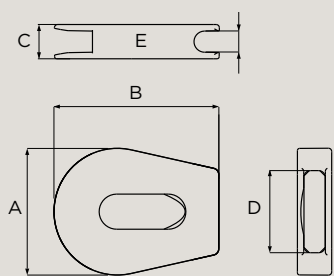
SIZE	MAT.	A	B	C	D	E
Ø5 mm	POM	15	11	11.5	6.5	4.5

BC/4



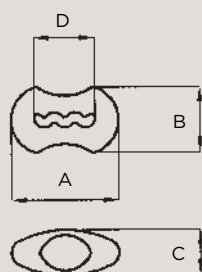
SIZE	MAT.	A	B	C	D	E
Ø4 mm	PA 6	22	25	7	13	4

BC/6



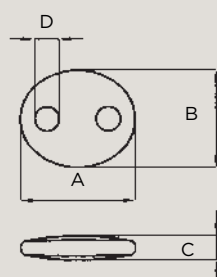
SIZE	MAT.	A	B	C	D	E
Ø6 mm	POM+PA	30	39	8.1	5	6

CROK



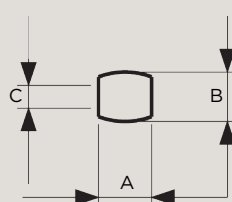
SIZE	MAT.	A	B	C	D
12 mm	GTR	21	13	9	12

GUMMY



SIZE	MAT.	A	B	C	D
Ø6 mm	GTR	28	24	6	Ø6

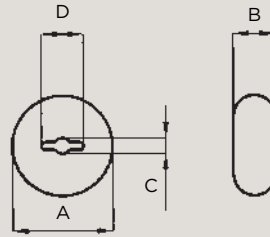
FCF/3



SIZE	MAT.	A	B	C	D
Ø2 mm	GTR	7	Ø6.5	Ø3	Ø3

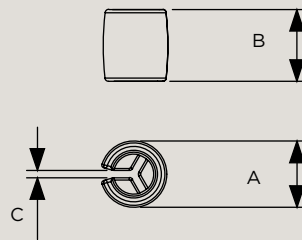
FERMACORDA A FRIZIONE FRICTION CORDLOCKS

SLICK



SIZE	MAT.	A	B	C	D
Ø3 mm	GTR	Ø 19	8	Ø 3	8

FRIZZY/SM OPEN



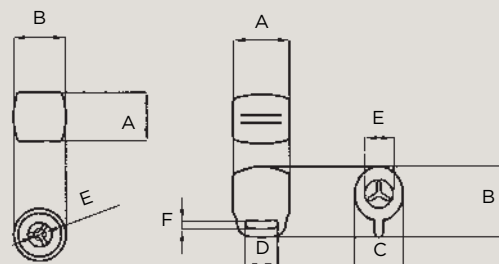
SIZE	MAT.	A	B	C
Ø2.5 mm	GTR	9.6	10	1

FRIZZY



FRIZZY

FRIZZY/P8



SIZE	MAT.	A	B	C	D	E	F
FRIZZY - Ø3 mm	GTR	Ø 12	13	12	8	Ø 3	
FRIZZY/P8 - Ø3 mm	GTR	Ø 14	17.5	12	8	Ø 3	2

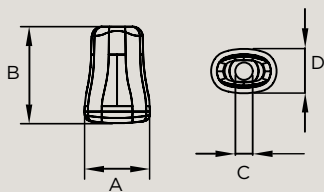


Tiralampo - ZP/5

TERMINALI E TIRETTI

PULLERS

TERMINALI PER CORDINI CORD ENDS

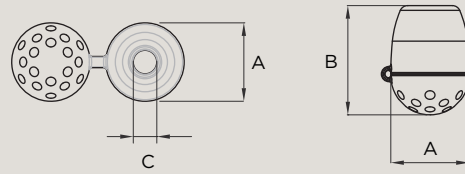


122/03
NEW

SIZE	MAT.	A	B	C	C
Ø3 mm	PA	11.9	17	Ø3.2	8

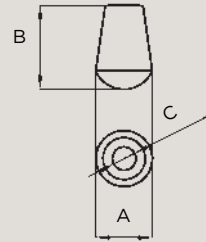
TERMINALI PER CORDINI CORD ENDS

TE 3/5



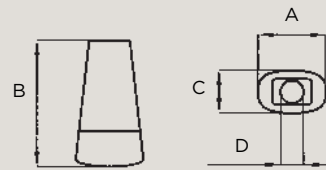
SIZE	MAT.	A	B	C
Ø4.5 mm	PA 6	Ø15	20.9	Ø4.5

110/05



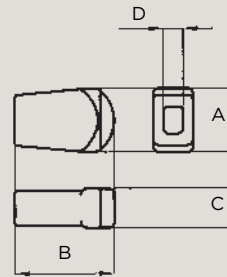
SIZE	MAT.	A	B	C
Ø5 mm	PA 6	Ø12	18	Ø5

106/05



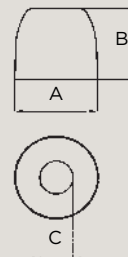
SIZE	MAT.	A	B	C	D
Ø4.5 mm	PA 6	13	25	8.5	Ø4.5

TSN/2



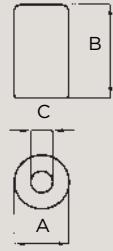
SIZE	MAT.	A	B	C	D
Ø5 mm	PA 6	12.8	20.1	8	4

109



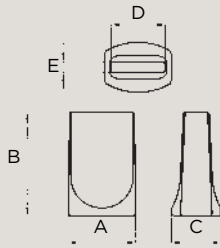
SIZE	MAT.	A	B	C
Ø10 mm	PA 6	Ø10	10	Ø3.5
Ø12 mm	PA 6	Ø12	11.3	Ø4.5
Ø15 mm	PA 6	Ø15	13	Ø6

CC3



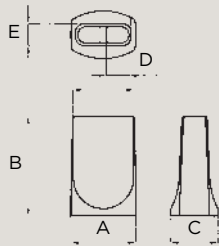
SIZE	MAT.	A	B	C
Ø3 mm	PA 6	Ø7.5	13	Ø3

TF



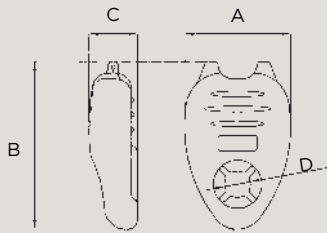
SIZE	MAT.	A	B	C	D	E
10x2 mm	PA 6	13	20	9.5	10.5	2

TF/2



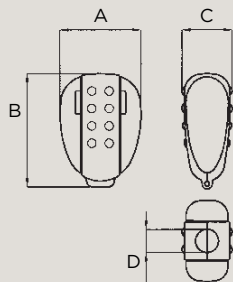
SIZE	MAT.	A	B	C	D	E
3x4.5 mm	PA 6	13	20	9.5	4.5	3

TB



SIZE	MAT.	A	B	C	D
6x3 mm	PA 6	17.5	28	8	Ø 4.5

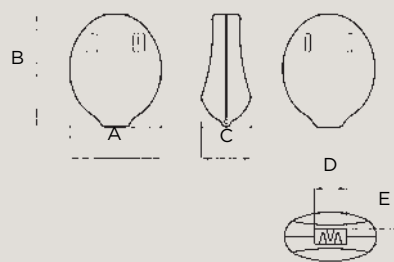
MINIBALL



SIZE	MAT.	A	B	C	D
Ø4 mm	PA 6	14	19.5	8.5	Ø 4

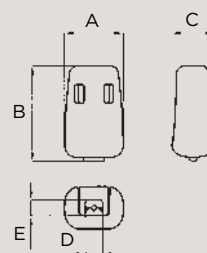
TERMINALI PER CORDINI CORD ENDS

ZIP



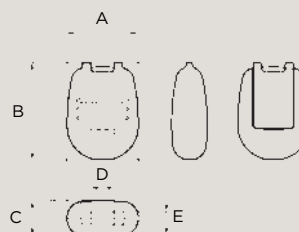
SIZE	MAT.	A	B	C	D	E
6.5x3 mm	PA 6	18.5	23	10	6.5	3

TA/2



SIZE	MAT.	A	B	C	D	E
Ø3 mm	PA 6	9.5	15.5	7	3	2.5

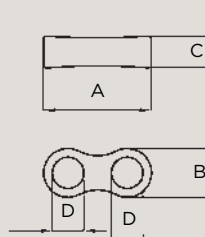
TA/5



SIZE	MAT.	A	B	C	D	E
5x3 mm	PA 6	16	22	8	5.3	3

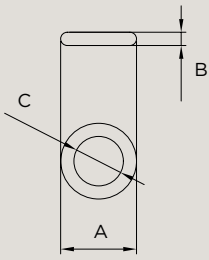
TIRACORDA CORD PULLERS

T2/4



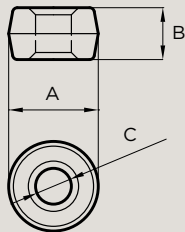
SIZE	MAT.	A	B	C	D
Ø4 mm	PA 6	13.5	6	4	Ø 4

OR



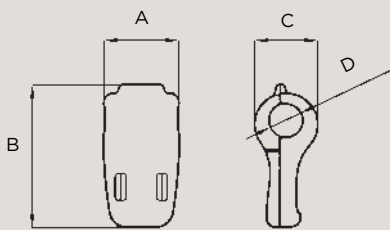
SIZE	MAT.	A	B	C
Ø8 mm	PA 6	11.5	1.8	Ø 8.5
Ø13 mm	PA 6	20	3.6	Ø 13

P/04



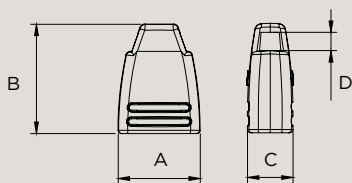
SIZE	MAT.	A	B	C
Ø4 mm	PA	Ø 9.4	6.1	Ø 4

PULL/3



SIZE	MAT.	A	B	C	D
Ø3.5 mm	PA 6	8.5	16	7	Ø 3.5

CPH/N

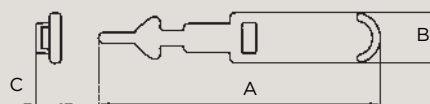


SIZE	MAT.	A	B	C	D
Ø4 mm	PA 6	18.1	24.3	10	4.4

DUE EMME

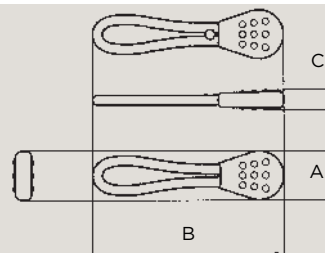
TIRALAMPO ZIP PULLERS

TL



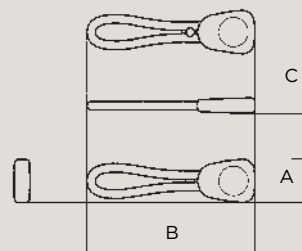
SIZE	MAT.	A	B	C
--	GTR	74.5	13	6.5

Z1



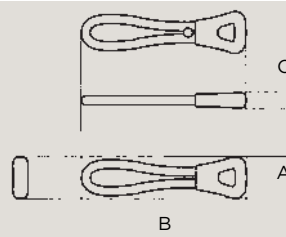
SIZE	MAT.	A	B	C
--	GTR	15	58.5	6.2

Z2



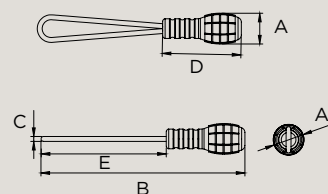
SIZE	MAT.	A	B	C
--	GTR	15	58.5	5.5

Z3



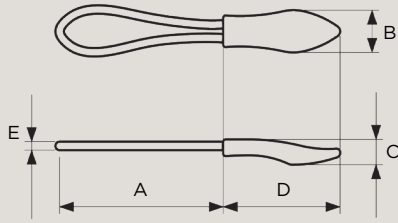
SIZE	MAT.	A	B	C
--	GTR	13.8	55.5	5.2

ZPM



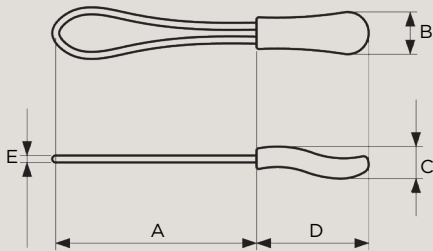
SIZE	MAT.	A	B	C	D	E
--	GPM	12	83	2	32	51

ZP/4



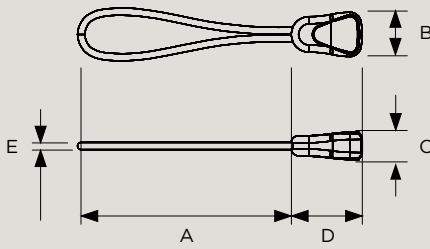
SIZE	MAT.	A	B	C	D	E
--	GTR	35	6	5.4	25	Ø 1.8

ZP/5



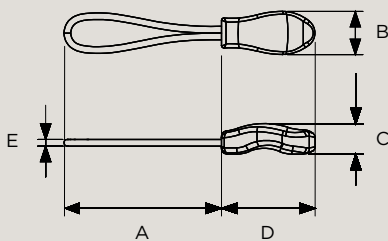
SIZE	MAT.	A	B	C	D	E
--	GTR	43	6	6.8	24	Ø 1.5

ZP/9



SIZE	MAT.	A	B	C	D	E
--	GTR	38	8	5	12.8	Ø 1.3

ZP/10

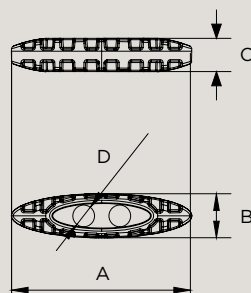


SIZE	MAT.	A	B	C	D	E
--	GTR	30	8.4	5.9	18.2	Ø 1.3

DUE EMME

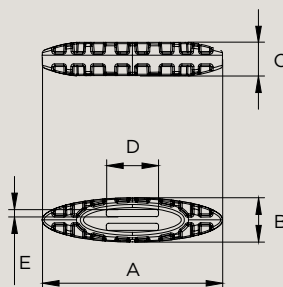
TIRALAMPO ZIP PULLERS

TGL/2



SIZE	MAT.	A	B	C	D
--	POM	37.7	9.1	7	∅ 4.6

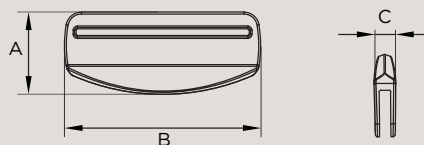
TGL/T



SIZE	MAT.	A	B	C	D	E
--	POM	37.7	9.1	7	11	1.5

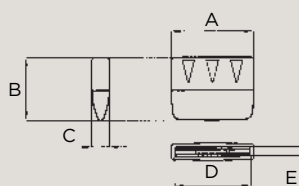
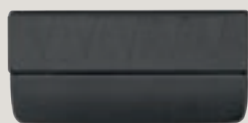
PUNTALI PER NASTRI BELT ENDS

BELT LOOP
NEW



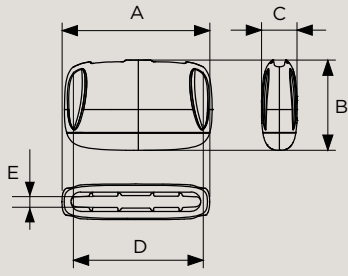
SIZE	MAT.	A	B	C
38 mm	GTR	15.8	38	4

PC



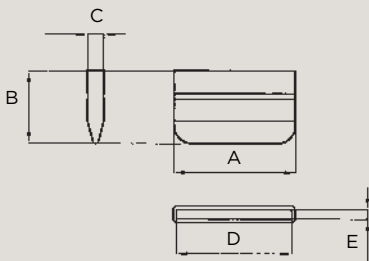
SIZE	MAT.	A	B	C	D	E
20 mm	PA 6	22.5	20	6	20.5	1.5
25 mm	PA 6	27.5	20	6	25.5	1.5
30 mm	PA 6	32.7	20	6	30.4	1.5
40 mm	PA 6	42.7	20	6	40.4	1.5

QLN



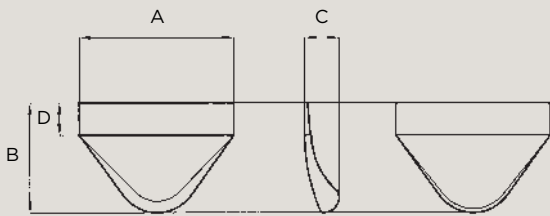
SIZE	MAT.	A	B	C	D	E
25 mm	PA 6	29.3	18	6.8	25.5	1.9
40 mm	PA 6	44.9	23	7.1	40.6	1.9

PNT



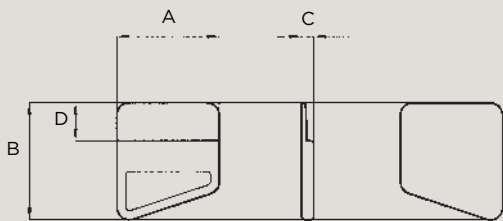
SIZE	MAT.	A	B	C	D	E
30 mm	GTR	32	19	4.3	30.5	2.5
40 mm	GTR	42	21.3	4.3	40.5	2.5

PT



SIZE	MAT.	A	B	C	D
40 mm	GTR	40.5	29	9	8.5

PPS



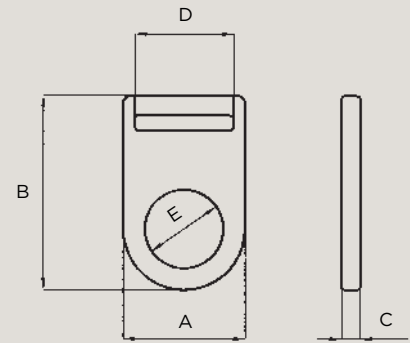
SIZE	MAT.	A	B	C	D
25 mm	GTR	40.5	29	9	8.5

DX - RIGHT

SX - LEFT

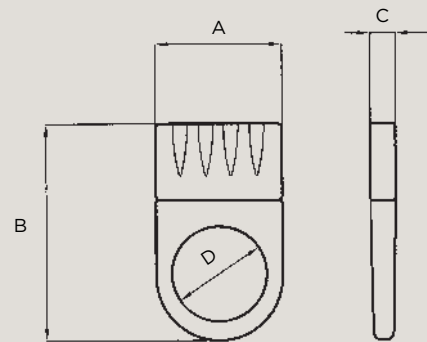
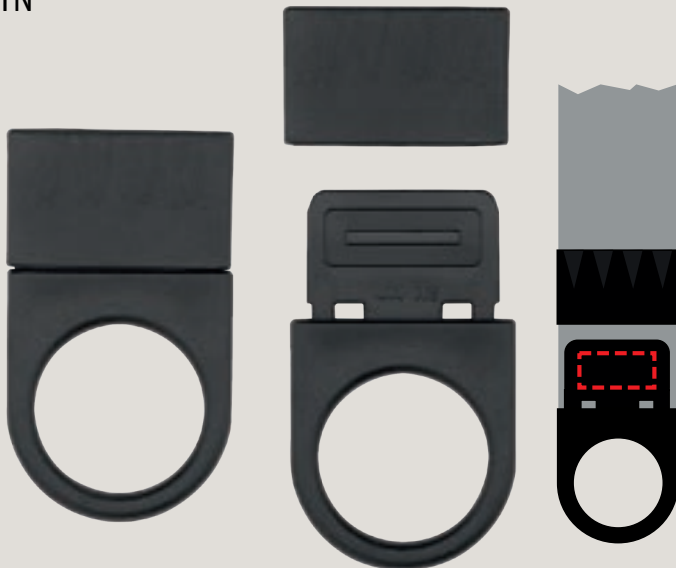
TIRANASTRI STRAP PULLERS

PULL



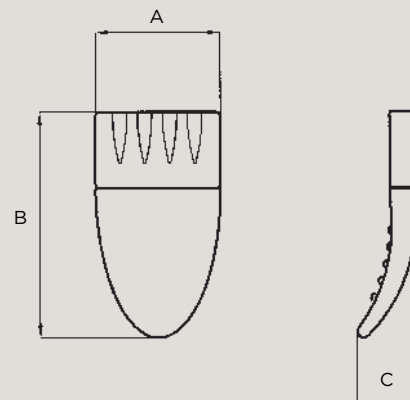
SIZE	MAT.	A	B	C	D	E
25 mm	PA 6	31	49.5	4.8	25	Ø 20

ATN



SIZE	MAT.	A	B	C	D
25 mm	PA 6	30	51.5	6	22

ATN/N



SIZE	MAT.	A	B	C
25 mm	PA 6	30	53.7	14.1



Chiusura a sgancio frontale - ATTAK

COMPONENTI CARTOTECNICA

STATIONERY COMPONENTS

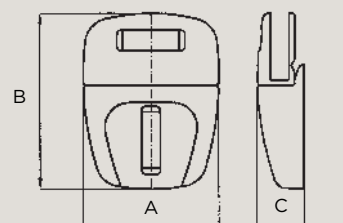
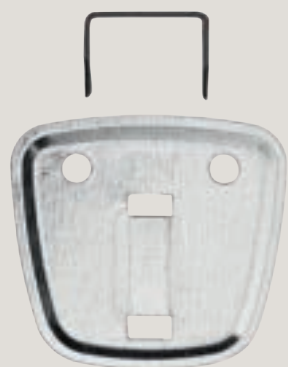
CHIUSURE A SGANCIO FRONTALE FRONT RELEASE LOCKS

ATTAK

SIZE	MAT.	A	B	C
ATTAK/45	PA 6	25	40	9
ATTAK/86	PA 6	31	46	11
ATTAK/100	PA 6	40	51.1	13

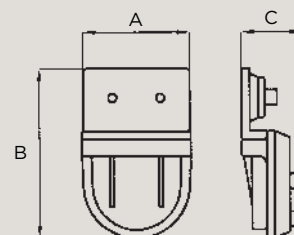
CHIUSURE A SGANCIO FRONTALE FRONT RELEASE LOCKS

ATTAK/2000



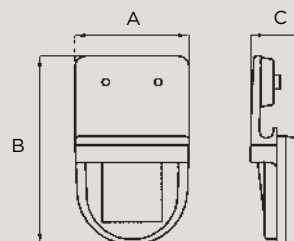
SIZE	MAT.	A	B	C
--	PA 6	36.5	47.5	12.5

TUKY



SIZE	MAT.	A	B	C
--	POM	25.5	40.5	14.5

TUKY/GR



SIZE	MAT.	A	B	C
--	POM	32.5	54	17

CHIUSURE A SGANCIO LATERALE SIDE RELEASE LOCKS

007

SIZE	MAT.	A	B	C	D
--	POM	24	54	8,5	15

CHIUSURE A BATTENTE CAM LOCKS

C4FN

SIZE	MAT.	A	B	C
--	POM	31	63	9

* ARTICOLO COMPLETO DI CHIODI | ITEM FULL OF NAILS

DUE EMME

CHIUSURE ROTANTI SWIVEL LOCKS

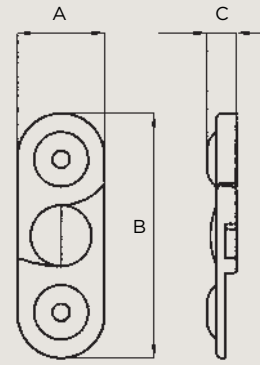
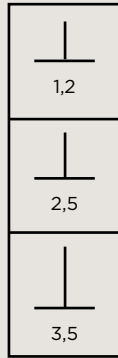
CLN

SIZE	MAT.	A	B	C
--	PA 6	22	64	6,5

* ARTICOLO COMPLETO DI CHIODI | ITEM FULL OF NAILS

CHIUSURE ROTANTI SWIVEL LOCKS

LOCK

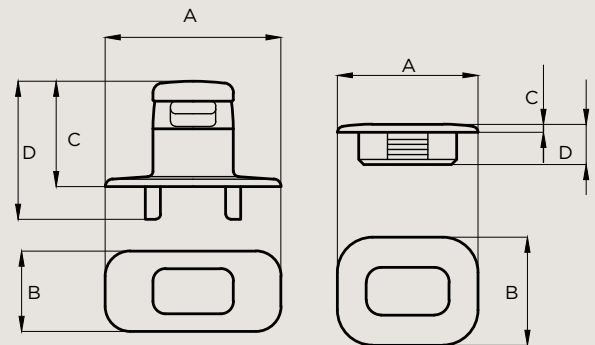


*ARTICOLO COMPLETO DI CHIODI | ITEM FULL OF NAILS

SIZE	MAT.	A	B	C
--	PA 6	20	56	6.5

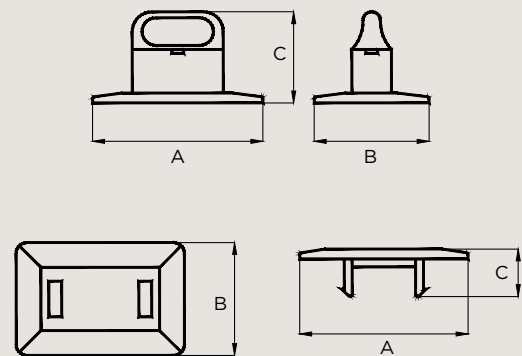
GIRELLI TWISTING LOCKS

GBN/28



SIZE	MAT.	A	B	C	D
BODY	POM	35	16	21	27.5
FRAME	POM	28	21.5	1.6	8

GB/40



SIZE	MAT.	A	B	C
BODY	POM	43	29	23
FRAME	POM	42.5	28.5	12



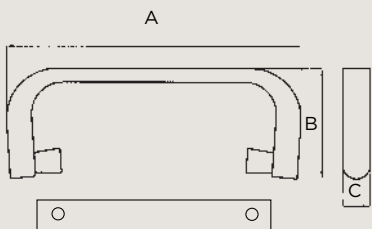
Maniglie imbottite - TH/8

MANIGLIE

HANDLES

MANIGLIE RIGIDE RIGID HANDLES

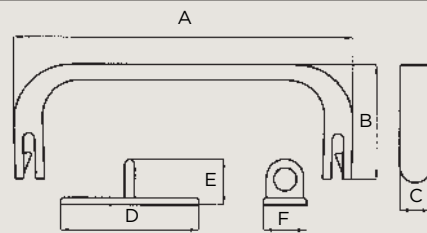
340/1



SIZE	MAT.	A	B	C
--	PP	117	44	11

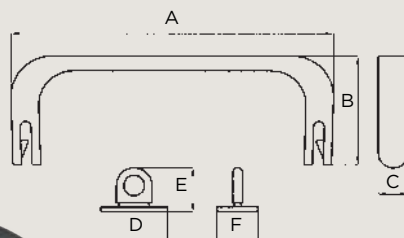
MANIGLIE RIGIDE RIGID HANDLES

340/2



SIZE	MAT.	A	B	C	D	E	F
--	PP	118	40	11	48	16	15

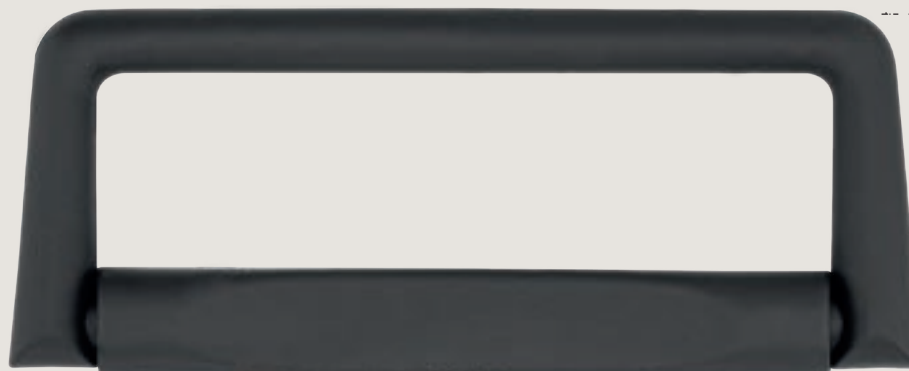
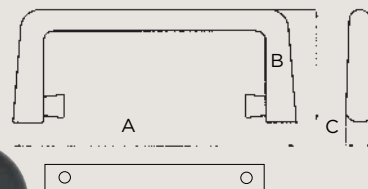
340/3



SIZE	MAT.	A	B	C	D	E	F
--	PP	118	40	11	24.5	16.5	15

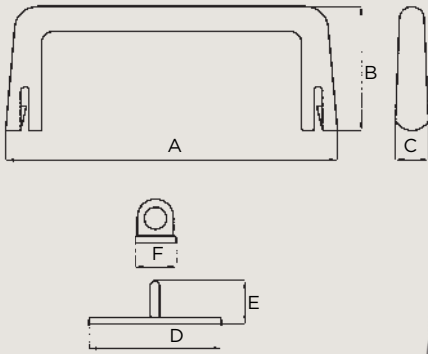
*A richiesta attacco h 21.5 mm | At request handle plate h 21.5 mm

400/1



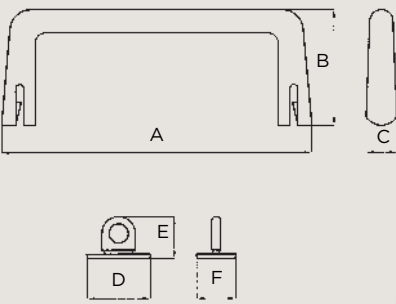
SIZE	MAT.	A	B	C
--	PP	120	48	12

400/2



SIZE	MAT.	A	B	C	D	E	F
--	PP	120	45	12	48	16	15

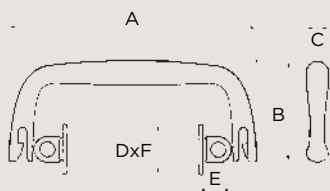
400/3



SIZE	MAT.	A	B	C	D	E	F
--	PP	120	45	12	24.5	16.5	15

*A richiesta attacco h 21.5 mm | At request handle plate h 21.5 mm

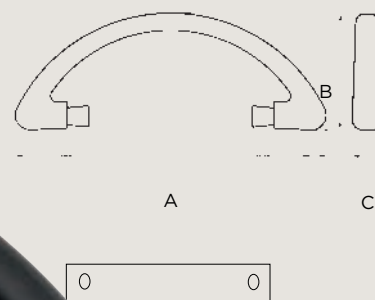
500/3



SIZE	MAT.	A	B	C	D	E	F
--	PP	122	49.5	11	25	16	15.5

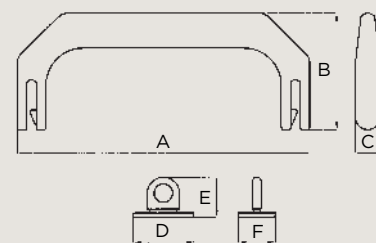
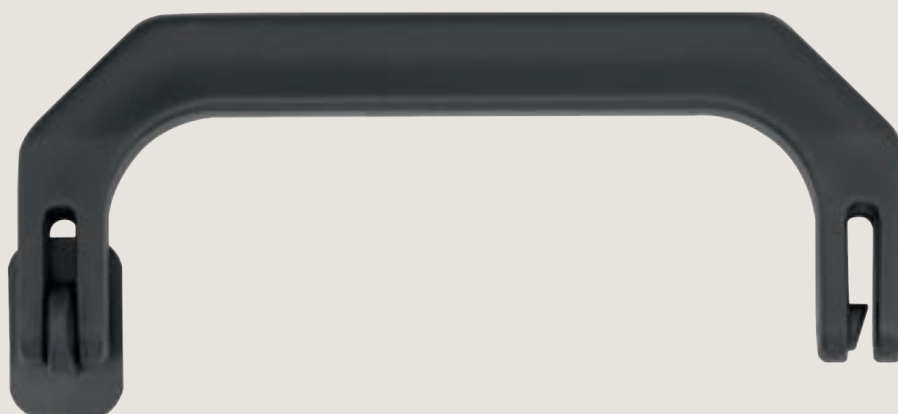
MANIGLIE RIGIDE RIGID HANDLES

800/1



SIZE	MAT.	A	B	C
--	PP	145	54.5	14

070/3

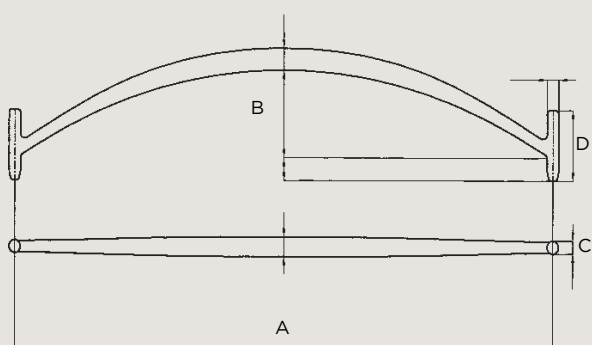


SIZE	MAT.	A	B	C	D	E	F
--	PP	117.5	47	10	24.5	16.5	15

*A richiesta attacco h 21.5 mm | At request handle plate h 21.5 mm

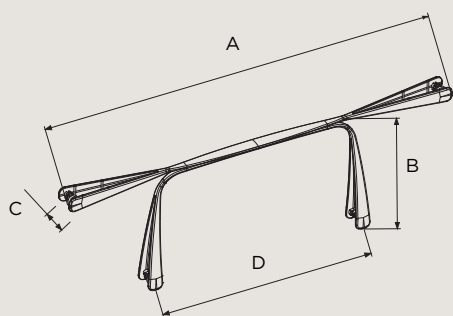
MANIGLIE FLESSIBILI FLEXIBLE HANDLES

M/195



SIZE	MAT.	A	B	C	D
--	PP	192	31	4.6	25

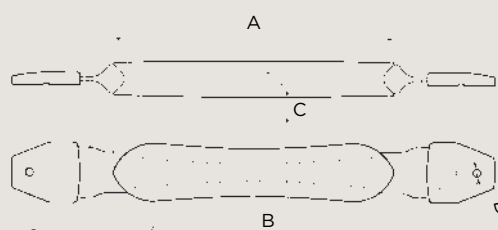
MSPP



SIZE	MAT.	A	B	C	D
--	PP	258	71	13.9	140-150

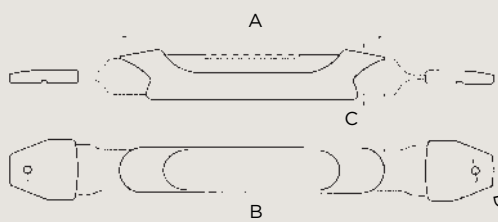
MANIGLIE RIVETTABILI HANDLES ATTACHABLE WITH RIVETS

THR/2



SIZE	MAT.	A	B	C	D
--	GTR	140	242	18	Ø3.9

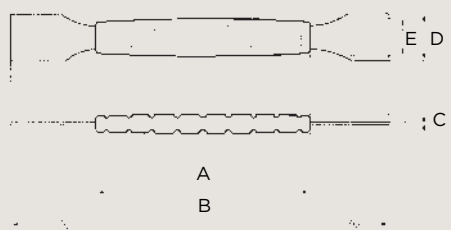
THR/3



SIZE	MAT.	A	B	C	D
--	GTR	132	252	24.8	Ø3.9

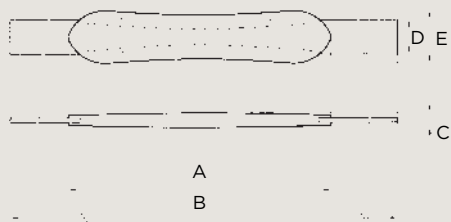
MANIGLIE PIATTE FLAT HANDLES

TH/4



SIZE	MAT.	A	B	C	D	E
--	GTR	91	300	8.2	10	16

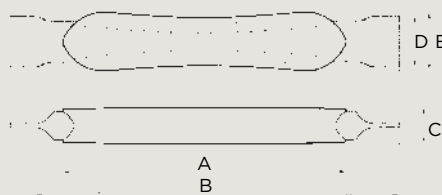
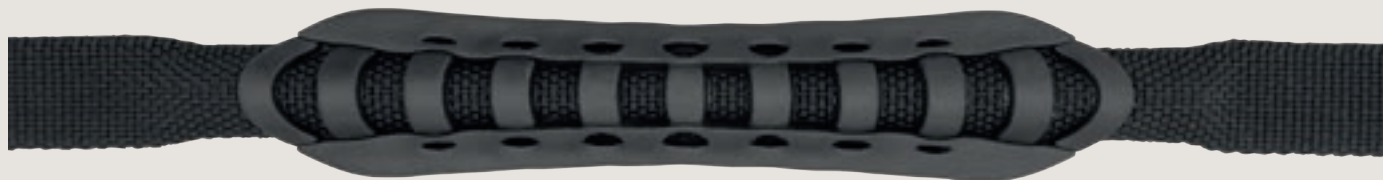
TH/7



SIZE	MAT.	A	B	C	D	E
--	GTR	145	300	7.5	25	32.5

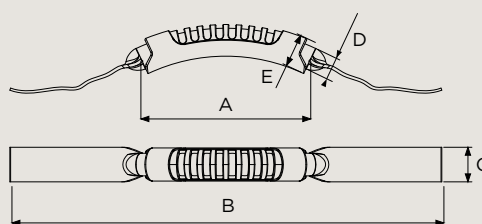
MANIGLIE IMBOTTITE PADDED HANDLES

TH/8 - TH/9



SIZE	MAT.	A	B	C	D	E
TH/8	GTR	113	300	12.5	15	22
TH/9	GTR	140	300	18	25	28.8

TH/11



SIZE	MAT.	A	B	C	D	E
--	GTR	128	530	26	Ø 17	Ø 25



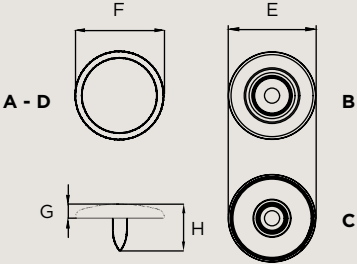
Bottoni a pressione - PRESS/12.5

BOTTONI

BUTTONS

BOTTONI A PRESSIONE SNAP FASTENERS

PRESS - NEW/14

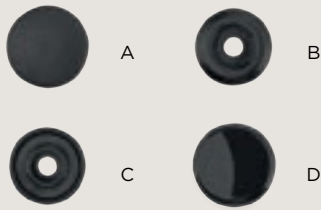


SIZE	MAT.	E	F	G	H
Ø14 mm	POM	Ø13.8	Ø14	2	7.5

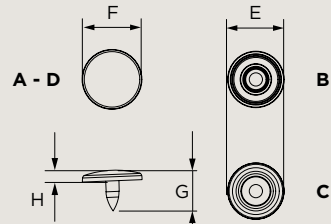
*Applicazione con punzone (a richiesta) | Application by tool (at request)

BOTTONI A PRESSIONE SNAP FASTENERS

PRESS/10

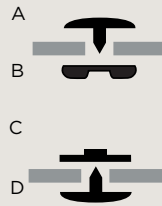
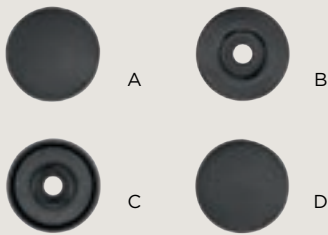


*Disponibile con testa lucida o opaca | Available with matt or shiny head
Applicazione con punzone (a richiesta) | Application by tool (at request)

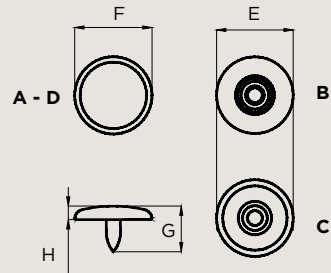


SIZE	MAT.	E	F	G	H
Ø10 mm	POM	Ø9.7	Ø10.3	6.2	1.6

PRESS/12.5

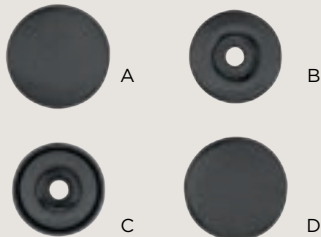


*Applicazione con punzone (a richiesta) | Application by tool (at request)

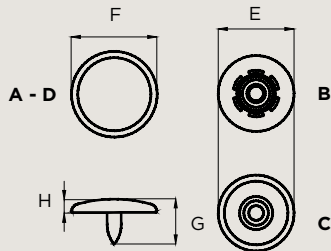


SIZE	MAT.	E	F	G	H
Ø12.5 mm	POM	Ø12.5	Ø12.5	7.1	2.2

PRESS/12.5 C14

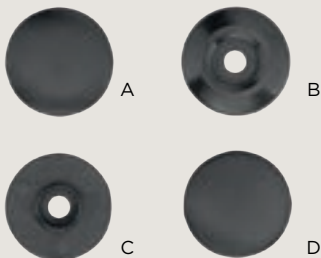


*Applicazione con punzone (a richiesta) | Application by tool (at request)

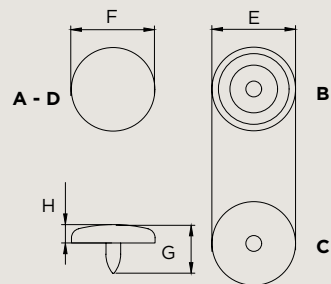


SIZE	MAT.	E	F	G	H
Ø12.5/C14 mm	POM	Ø12.5	Ø14	7.5	2

PRESS/14

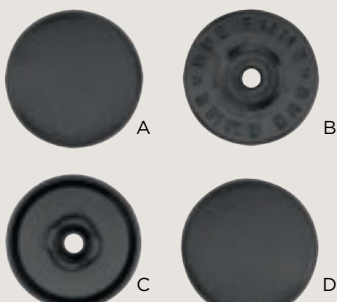


*Applicazione con punzone (a richiesta) | Application by tool (at request)

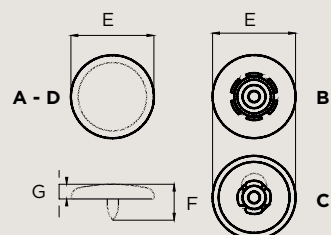


SIZE	MAT.	E	F	G	H
Ø14 mm	POM	Ø9.7	Ø10.3	6.2	1.6

PRESS/18



*Applicazione con punzone (a richiesta) | Application by tool (at request)



SIZE	MAT.	E	F	G
Ø18 mm	POM	Ø 18	8	3

KAPPA




SIZE	MAT.	E	F	G
Ø14 mm	POM	Ø14.5	8.2	Ø2.8
Ø15 mm	POM	Ø14.9	8.3	Ø2.8

* Applicazione con punzone (a richiesta) | Application by tool (at request)
KAPPA/15 - Disponibile con testa lucida o opaca | KAPPA/15 - Available with matt or shiny head

BOTTONI CUCIBILI SEWABLE BUTTONS


BF



SIZE	MAT.	A	B	C	D
Ø15 mm	PA 6 - HPE SFT	Ø 15	3.3	8	1.8
Ø20 mm	PA 6 - HPE SFT	Ø 20	3.7	8.8	2.2
Ø25 mm	PA 6 - HPE SFT	Ø 25	4.7	10.7	2.4
Ø30 mm	PA 6 - HPE SFT	Ø 30	5.4	11	2.4

* Disponibile anche IR e fiamma ritardante (VO) | Also available IR and flame retardant (VO)


BF 4/F



SIZE	MAT.	A	B	C
Ø15 mm	PA 6 - HPE SFT	Ø 15	3.2	Ø 1.8
Ø20 mm	PA 6 - HPE SFT	Ø 20	3.3	Ø 2.2
Ø25 mm	PA 6 - HPE SFT	Ø 25	4.1	Ø 2.6
Ø30 mm	PA 6 - HPE SFT	Ø 30	4.4	Ø 3

* Disponibile anche IR e fiamma ritardante (VO) | Also available IR and flame retardant (VO)


OL/2



SIZE	MAT.	A	B	C
30 mm	PA 6	10	30.5	Ø 4.7
35 mm	PA 6	11.2	35.5	Ø 5.1
40 mm	PA 6	13.5	42	Ø 5.3

BOTTONE JEANS JEANS BUTTON

BJ/17



SIZE	MAT.	A	B	C	D	E	F
Ø17 mm	PA 6	Ø 17	13	7.3	Ø 6.5	Ø 2.6	Ø 9

* Applicazione con punzone (a richiesta) | Application by tool (at request)



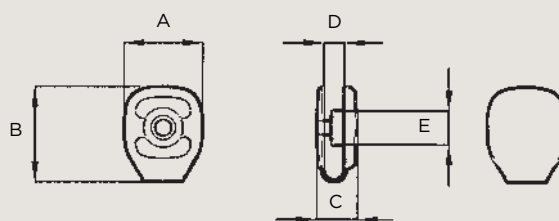
Rivetti automatici - RP

RIVETTI

RIVETS

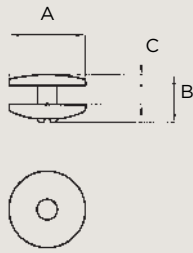
RIVETTO SIGILLO SAFETY RIVET

AMR



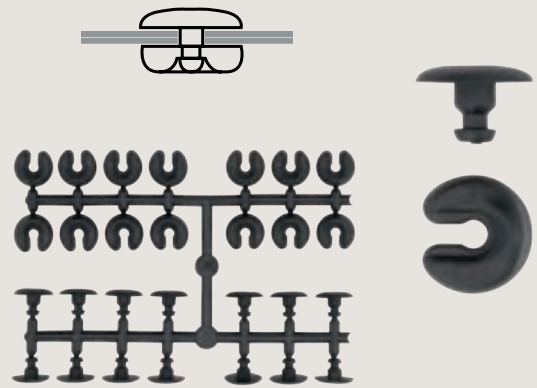
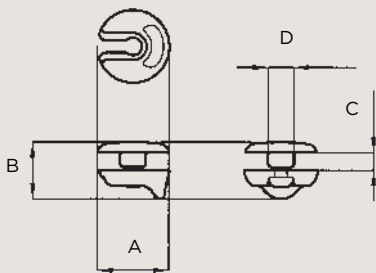
SIZE	MAT.	A	B	C	D	E
14 mm	PS	11.5	14	6	3	Ø5

RV



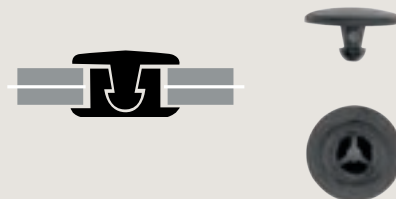
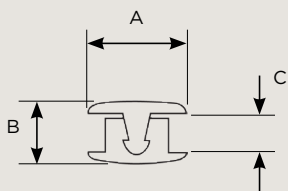
SIZE	MAT.	A	B	C
THK - 3 mm	PA 6	Ø 12	7.5	3
THK - 5 mm	PA 6	Ø 12	9.3	5

RA/14



SIZE	MAT.	A	B	C	D
THK - 2.5 mm	PP	Ø 14	10.3	2.5	Ø 5
THK - 3.5 mm	PP	Ø 14	11.1	3.5	Ø 5
THK - 4.1 mm	PP	Ø 14	11.7	4.1	Ø 5
THK - 5 mm	PP	Ø 14	12.6	5	Ø 5

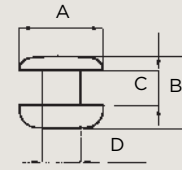
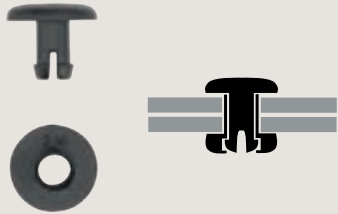
RM 12/5



SIZE	MAT.	A	B	C
Ø12 mm	PA 6	Ø 11.8	7.6	4.2

RIVETTI MANUALI MANUAL RIVETS

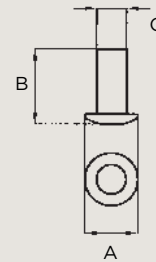
SST



SIZE	MAT.	A	B	C	D
THK - 2.5 mm	PA 6	Ø 12	8	2.5	Ø 5.5
THK - 5 mm	PA 6	Ø 12	10.5	5	Ø 5.5
THK - 7.5 mm	PA 6	Ø 12	13	7.5	Ø 5.5
THK - 9.5 mm	PA 6	Ø 12	15	9.5	Ø 5.5

RIVETTI AUTOMATICI AUTOMATIC RIVETS

RP

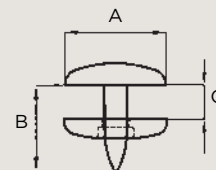


SIZE	MAT.	A	B	C
RP 4/6/8	POM	Ø7.8	7.5	Ø 3.7
RP/7	POM	Ø6.8	9.8	Ø 3.7

* Applicazione con punzone (a richiesta) | Application by tool (at request)

RIVETTI AUTO-PERFORANTI SELF-PIERCING RIVETS

RVA



SIZE	MAT.	A	B	C
Ø9 mm	POM	Ø 9	7	2/4
Ø12/THK 7.5 mm	POM	Ø 12	7.5	2/4
Ø12/THK 10 mm	POM	Ø 12	10	2/4

* Applicazione con punzone (a richiesta) | Application by tool (at request)



Areatori - BR/12

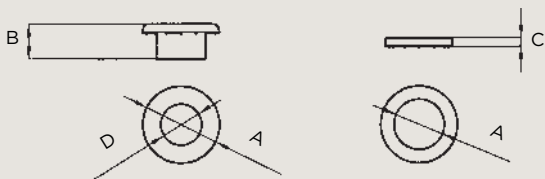
OCCHIELLI E AREATORI

EYELETS & BREATHERS

DUE EMME

OCCHIELLI EYELETS

OKV

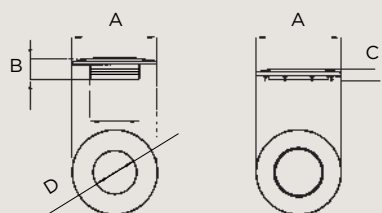


SIZE	MAT.	A	B	C	D
Ø int. 4.5 mm	PBT	Ø10.5	8.2	1.6	Ø4.5
Ø int. 6 mm	PBT	Ø11.5	6.5	1.7	Ø5.8
Ø int. 6/8 mm	PBT	Ø11.5	8.3	1.7	Ø5.8
Ø int. 10 mm	PBT	Ø18.2	8.2	2	Ø10
Ø int. 12 mm	PBT	Ø24	8	2	Ø12
Ø int. 14.5 mm	PBT	Ø33.4	9.5	2.3	Ø14.6
Ø int. 19 mm	PBT	Ø38	9.8	2.5	Ø19
Ø int. 39 mm	PBT	Ø64.7	12	2.5	Ø38.6

* Applicazione con punzone (a richiesta) | Application by tool (at request)

OCCHIELLI EYELETS

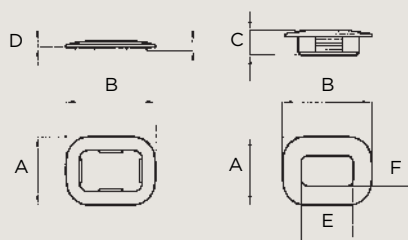
OKV/15



SIZE	MAT.	A	B	C	D
Ø int. 15 mm	PA 6	Ø27	7	2.3	Ø15.5

* Applicazione con punzone (a richiesta) | Application by tool (at request)

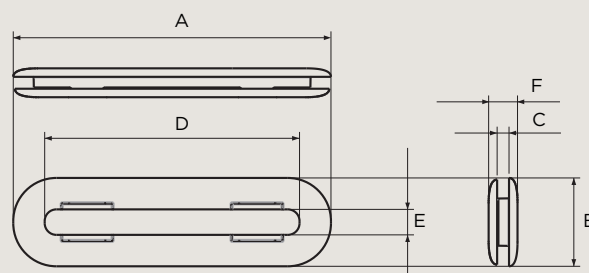
EL



SIZE	MAT.	A	B	C	D	E	F
int. 16x9 mm	POM	21.5	28.5	8	2	16.5	9.5

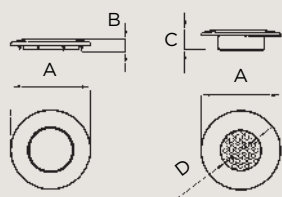
* Applicazione con punzone (a richiesta) | Application by tool (at request)

OKV/60



SIZE	MAT.	A	B	C	D	E	F
int. 60 mm	POM	74.8	20.8	2.8	60	6	6.8

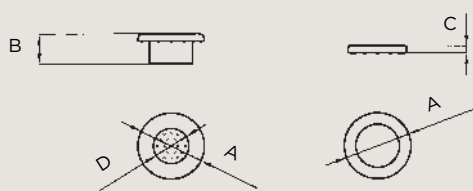
AR



SIZE	MAT.	A	B	C	D
Ø ext. 14 mm	PA 6	Ø 14	2.1	4.5	Ø 7
Ø ext. 20 mm	PA 6	Ø 20	3.2	6	Ø 10.5
Ø ext. 27 mm	PA 6	Ø 27	4.3	7	Ø 14

* Applicazione con punzone (a richiesta) | Application by tool (at request)

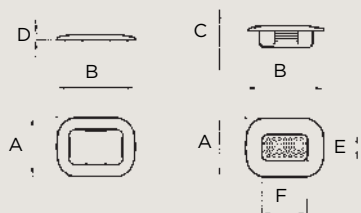
BR/6-10-12



SIZE	MAT.	A	B	C	D
Ø int. 6 mm	PBT	Ø 11.5	6	1.5	Ø 6
Ø int. 10 mm	PBT	Ø 18.2	8.2	2	Ø 10
Ø int. 12 mm	PBT	Ø 24	8	2	Ø 12

* Applicazione con punzone (a richiesta) | Application by tool (at request)

BR



SIZE	MAT.	A	B	C	D	E	F
int. 16x9 mm	POM	21.5	28.5	8	2	9.5	16.5

* Applicazione con punzone (a richiesta) | Application by tool (at request)



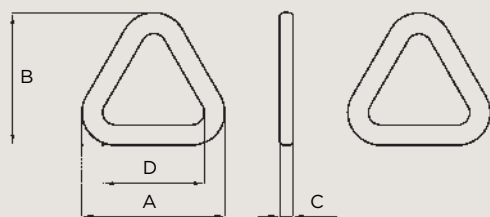
Accessori vari - M

ACCESSORI VARI

VARIOUS

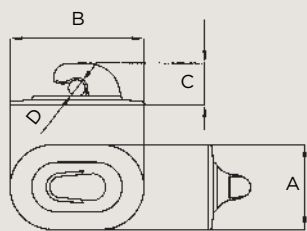
ACCESSORI SCARPE SHOES ACCESSORIES

TSB



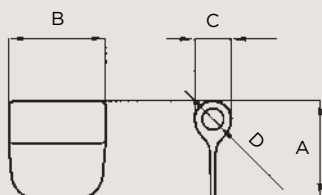
SIZE	MAT.	A	B	C	D
25 mm	PA 6	38.6	35.8	3.6	27.5

GC 20/30



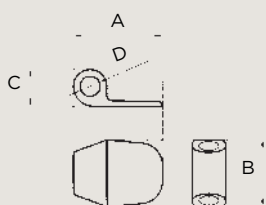
SIZE	MAT.	A	B	C	D
--	PA 6.6	20.2	32	10	Ø 4

TUB



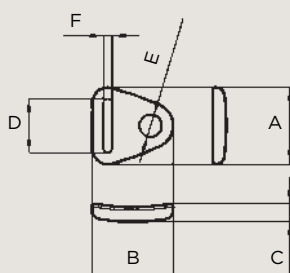
SIZE	MAT.	A	B	C	D
Ø4.5 mm	GTR	20	20	8	Ø 4.5

TUB-SA/15



SIZE	MAT.	A	B	C	D
Ø4.5 mm	PA 6.6	20	15	8.2	Ø 4.5

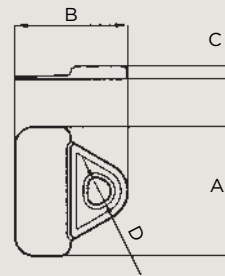
PLT 10/5



SIZE	MAT.	A	B	C	D	E	F
10 mm	PA 6.6	17	18	3.9	12	Ø 5	2

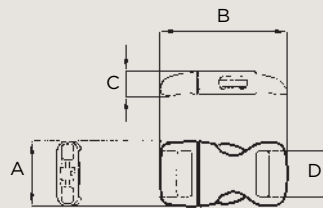
ACCESSORI SCARPE SHOES ACCESSORIES

PSC-N/100



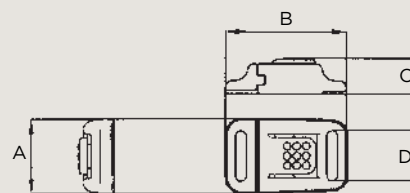
SIZE	MAT.	A	B	C	D
--	PA 6	30	26.5	3	Ø 5.2

SL/10



SIZE	MAT.	A	B	C	D
10 mm	POM	15.5	30	6	11

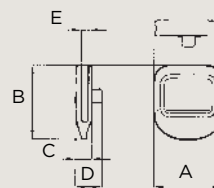
CB/10



SIZE	MAT.	A	B	C	D
10 mm	POM	15.5	25.2	7.5	10.5

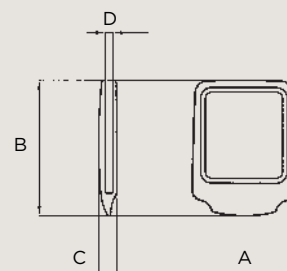
CHIUDI TASCA POCKET LOCKS

PLK/20



SIZE	MAT.	A	B	C	D	E
20 mm	PA 6	22	24	5	8.5	2.5

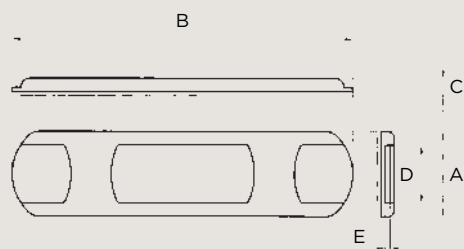
PLK/30



SIZE	MAT.	A	B	C	D
30 mm	PA 6	32	42.5	5.5	2.5

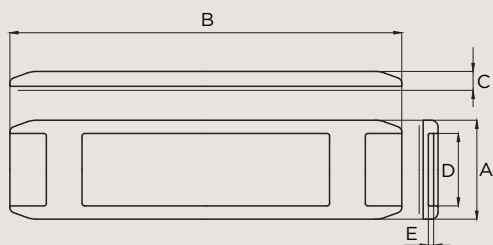
SPALLACCI SHOULDER PADS

SP/16 - SP/20



SIZE	MAT.	A	B	C	D	E
16 mm	GTR	27	113	5.8	18	1.8
20 mm	GTR	32	128	6.5	21.8	1.8

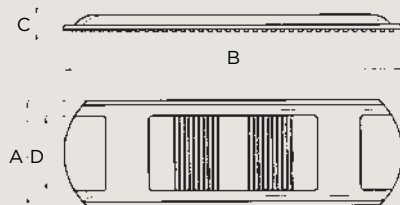
SP/25



SIZE	MAT.	A	B	C	D	E
25 mm	GTR	36.6	145	7	26.8	2

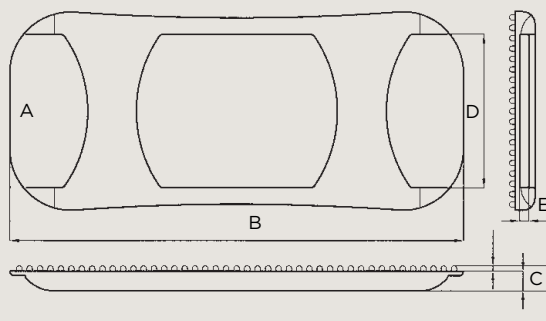
SPALLACCI SHOULDER PADS

SPN



SIZE	MAT.	A	B	C	D
30 mm	GTR	44.5	142	7	31.5
40 mm	GTR	55	140	7	41

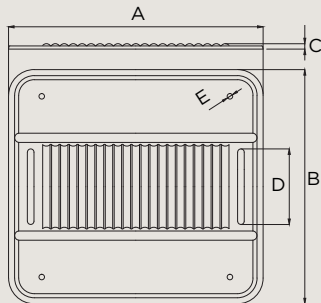
SP/50



SIZE	MAT.	A	B	C	D	E
50 mm	GTR	65	149	8.3	50.2	3

COPRIMANIGLIA HANDLE GRIP

CM

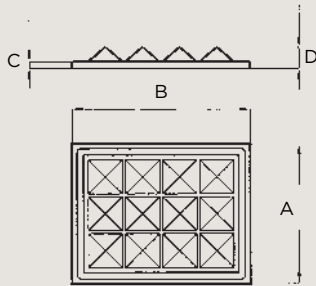


SIZE	MAT.	A	B	C	D	E
40 mm	GTR	138	127	2.9	41	Ø 3

* Applicabile con bottoni automatici PRESS/14 - KAPPA/14 |
 Attachable with snap fasteners PRESS/14 - KAPPA/14

PIEDINI RUBBER FEET

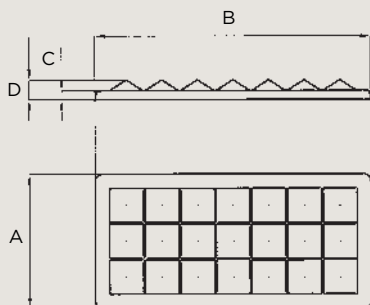
PRC



SIZE	MAT.	A	B	C	D
39x49 mm	GTR	39.2	49.5	1.9	5.9

DUE EMME

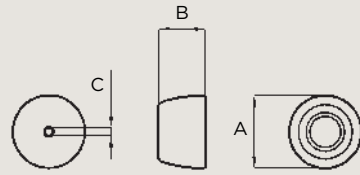
PRD/21



SIZE	MAT.	A	B	C	D
37x77 mm	GTR	37.5	77.5	2.5	5.5

PIEDINI RUBBER FEET

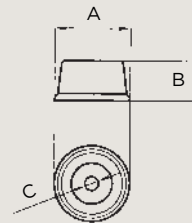
PP



SIZE	MAT.	A	B	C
20 mm	PP	Ø18.7	12.2	Ø 2

* Applicazione con punzone (a richiesta) | Application by tool (at request)

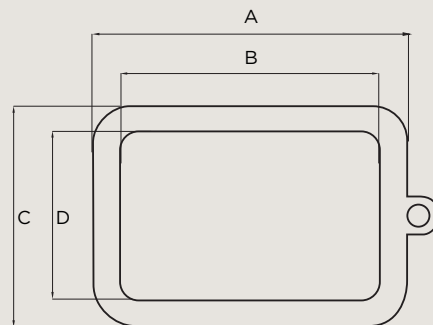
PPF



SIZE	MAT.	A	B	C
20 mm	PP	Ø19.6	10.4	Ø3.6

PORTANOME ID TAG HOLDER

TAG



SIZE	MAT.	A	B	C	D
89x62 mm	GTR	89.5	74.5	62.2	47.5

* COMPONENTI CARD E LAC DISPONIBILI SEPARATAMENTE |
CARD AND LAC COMPONENTS AVAILABLE SEPARATELY

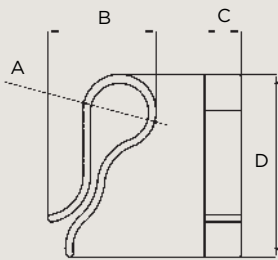
LAC



SIZE	MAT.	A
LAC/1	PP	180
LAC/2	PP	140

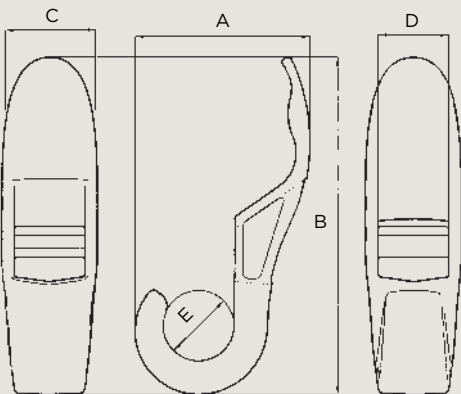
ACCESSORI VARI MISCELLANEOUS

GT



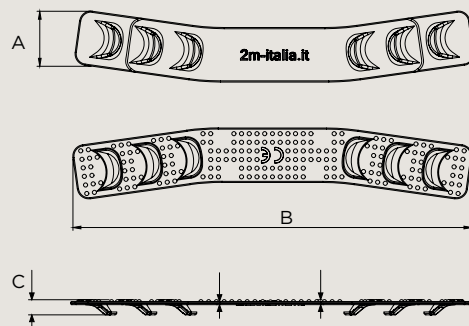
SIZE	MAT.	A	B	C	D
--	MTC	Ø17.5	32.5	11	55

GSM/25



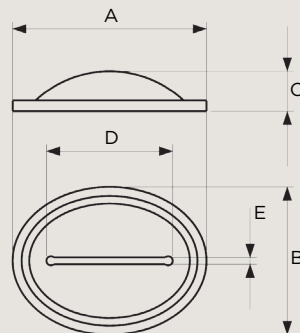
SIZE	MAT.	A	B	C	D	E
25 mm	PA 6	62.5	124	34.5	25.2	Ø24

MASCLIP



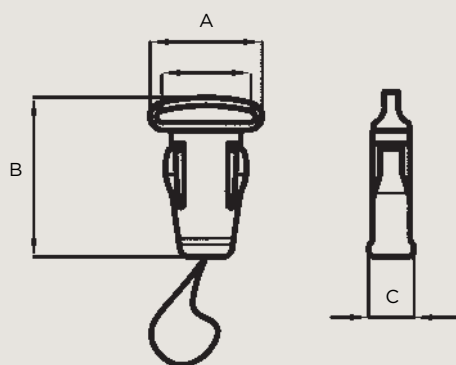
SIZE	MAT.	A	B	C
--	GTR	24	176	6.7

PTC



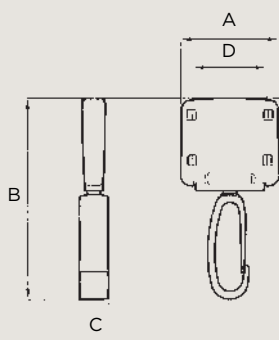
SIZE	MAT.	A	B	C	D	E
10 mm	GTR	43	32.8	8.9	28	1.5

LCP



SIZE	MAT.	A	B	C	D
10 mm	PA 6	13	26.3	7.2	8.1
15 mm	PA 6	18	25.5	7.2	15.8
20 mm	PA 6	23.8	25.5	7.2	20.8

APB



SIZE	MAT.	A	B	C	D
20 mm	PA 6	26	52	6	20

DUE EMME

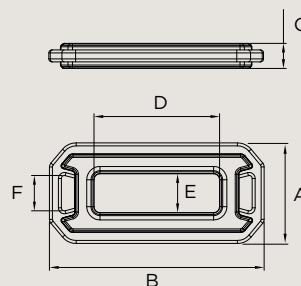
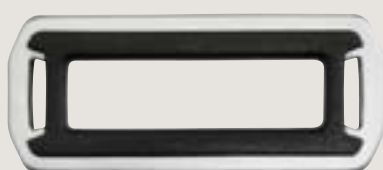


Aluplast - TENSION HOOK

ALUPLAST

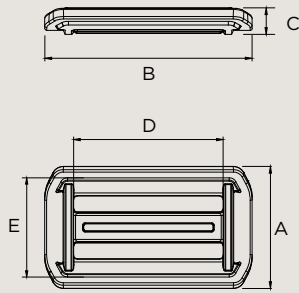
ALUPLAST

ALUPLAST LOOP



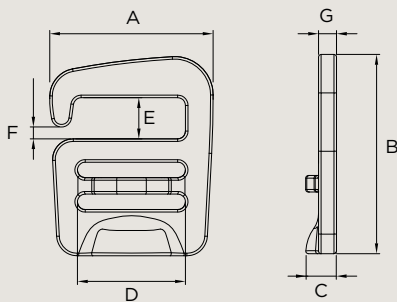
SIZE	MAT.	A	B	C	D	E	F
20 mm	ALU+POM	16.8	35.9	4.2	21	6.5	5.9
25 mm	ALU+POM	19.3	41.9	4.7	26	8	6
40 mm	ALU+POM	24.3	57.2	5.2	39	11	10.6

ALUPLAST SLIDER



SIZE	MAT.	A	B	C	D	E
25 mm	ALU+POM	25.8	42.9	6.2	26	22.2
40 mm	ALU+POM	31.8	54	6.9	39	27.9

ALUPLAST TENSION HOOK

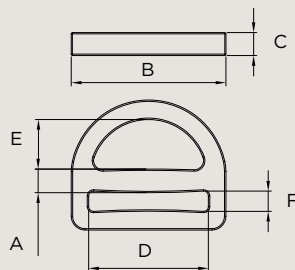


DX - RIGHT

SX - LEFT

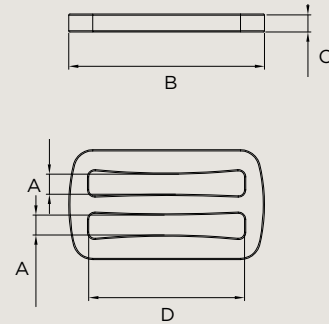
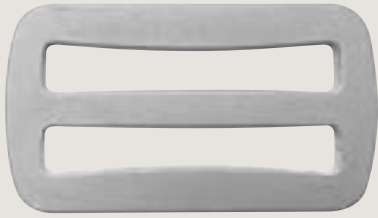
SIZE	MAT.	A	B	C	D	E	F	G
20 mm	ALU	31.8	38.7	6	21	8	2.3	3.5
25 mm	ALU	39.5	42	6	26.5	8	2.3	3.5

ALUPLAST PROFILE D RING 25



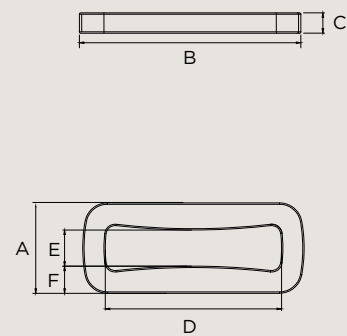
SIZE	MAT.	A	B	C	D	E	F
25 mm	ALU	122	49.5	11	25	16	15.5

ALUPLAST PROFILE SLIDER 40



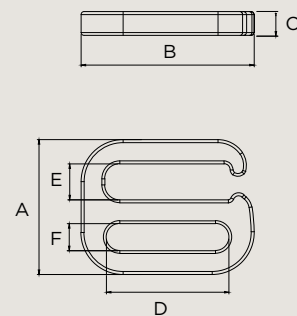
SIZE	MAT.	A	B	C	D
40 mm	ALU	5	49	5	39

ALUPLAST PROFILE LOOP 40



SIZE	MAT.	A	B	C	D	E	F
40 mm	ALU	20	49	5	39	8	6

ALUPLAST SHORTY TENSION HOOK



SIZE	MAT.	A	B	C	D	E	F
20 mm	ALU	22.6	28.9	4	20.5	6	4.5
25 mm	ALU	25.6	33.7	4	25.8	7.7	5.9

007.....	p. 81
070/3.....	p. 86
106/5.....	p. 70
109.....	p. 70
110/05.....	p. 83
122/03.....	p. 69
340/1.....	p. 83
340/2.....	p. 84
340/3.....	p. 84
400/1.....	p. 84
400/2.....	p. 85
400/3.....	p. 85
500/3.....	p. 85
700/4V.....	p. 27
795.....	p. 7
795/CFM.....	p. 34
795/FC.....	p. 40
800/1.....	p. 86
800/4V.....	p. 27
900.....	p. 8

A

AL.....	p. 58
ALFA STERNUM CLIP.....	p. 22
ALUPLAST LOOP.....	p. 110
ALUPLAST PROFILE D RING 25.....	p. 111
ALUPLAST PROFILE LOOP 40.....	p. 112
ALUPLAST PROFILE SLIDER 40.....	p. 112
ALUPLAST SHORTY TENSION HOOK.....	p. 112
ALUPLAST SLIDER.....	p. 111
ALUPLAST TENSION HOOK.....	p. 111
AMR.....	p. 94
APB.....	p. 109
AR.....	p. 99
ARM.....	p. 43
ASB.....	p. 10
ASF.....	p. 18
ASN.....	p. 19
ASN/BC.....	p. 40
ASP.....	p. 18
ATM.....	p. 44
ATN.....	p. 78
ATN/N.....	p. 78
ATTAK.....	p. 79
ATTAK 2000.....	p. 80
AUT.....	p. 11

B

B2W.....	p. 8
B3W.....	p. 26
BALL.....	p. 61
BATMAN.....	p. 61
BB.....	p. 9
BC/4.....	p. 66
BC/6.....	p. 67
BELT CAM.....	p. 15
BELT LOOP.....	p. 76
BF.....	p. 93
BF 4/F.....	p. 93
BH.....	p. 20
BJ/17.....	p. 93
BLOK.....	p. 62
BLS.....	p. 10
BM.....	p. 42
BPM.....	p. 43
BR.....	p. 99
BR/6 - 10 - 12.....	p. 99
BS.....	p. 14
BT.....	p. 11
BTS.....	p. 11

C

C4FN.....	p. 81
CAM DIVIDER.....	p. 23
CB/10.....	p. 102
CC3.....	p. 71
CH 25/35.....	p. 25
CLN.....	p. 81
CM.....	p. 105
CPH/N.....	p. 73
CR-CRAB.....	p. 5
CR HELMET.....	p. 9
CROK.....	p. 67
CRP-CRAB PLUS.....	p. 6
CRP-DR.....	p. 6

D

DISCO.....	p. 64
DISCO/SM.....	p. 65
DIVIDER.....	p. 24
DOUBLE-DOUBLE P10.....	p. 65
DOUBLE/SM-DOUBLE SMALL P10.....	p. 65

DROP.....	p. 61
DROP/2.....	p. 62
DSB-DOUBLE SNAP BUCKLE.....	p. 16
DSC.....	p. 21

E

E.....	p. 15
EB.....	p. 9
ECH.....	p. 51
ECO/01.....	p. 61
EL.....	p. 98
ESALOCK.....	p. 9

F

F1 - F3.....	p. 64
F3W.....	p. 26
F4/M.....	p. 64
F5W.....	p. 28
FA.....	p. 15
FAN.....	p. 16
FAS.....	p. 16
FBP.....	p. 12
FBP/3B.....	p. 12
FBT.....	p. 12
FC2.....	p. 63
FCF/3.....	p. 67
FCH/5W.....	p. 28
FDR.....	p. 8
FG.....	p. 10
FGP.....	p. 7
FLAT.....	p. 64
FLY.....	p. 12
FM.....	p. 35
FP.....	p. 15
FPS.....	p. 13
FPS DR.....	p. 13
FPS MR.....	p. 13
FRIZZY/FRIZZY P8.....	p. 68
FRIZZY/SM OPEN.....	p. 68
FV2.....	p. 65

G

GB/40.....	p. 82
GBN/28.....	p. 82
GC 20/30.....	p. 101
GM.....	p. 53
GPP.....	p. 45
GSM/25.....	p. 107
GT.....	p. 107
GUMMY.....	p. 67

H

HB.....	p. 48
HTP.....	p. 7

J

JAP.....	p. 63
JP/2.....	p. 65

K

KAPPA.....	p. 93
------------	-------

L

LAC.....	p. 107
LCP.....	p. 109
LDL.....	p. 17
LITTLE /LITTLE 3.....	p. 61
LJW2.....	p. 47
LM/CL.....	p. 42
LOCK.....	p. 82
LOOP/CL.....	p. 41
LS.....	p. 18
LS CF/6.....	p. 18
LS/BC.....	p. 40
LSC.....	p. 19

M

M/195.....	p. 87
MAC.....	p. 51
MAP.....	p. 57
MASCLIP.....	p. 108
MASSLOCK.....	p. 44
MCS.....	p. 50
MICRO.....	p. 63
MINIBALL.....	p. 71
ML/8.....	p. 55
MMP.....	p. 52
MOLLE CLIP.....	p. 39
MOLLE SYSTEM.....	p. 39
MPG.....	p. 55
MPM.....	p. 52

MR.....	p. 53
MS.....	p. 51
MSPP.....	p. 87
MST.....	p. 52

N

N5W.....	p. 29
NB.....	p. 6
NBH 3.5.....	p. 22
NBS.....	p. 6
NHR.....	p. 53
NYCORD.....	p. 63

O

O.....	p. 58
OKV.....	p. 97
OKV/15.....	p. 98
OKV/60.....	p. 98
OL/2.....	p. 93
OR.....	p. 73
OS.....	p. 57
OS/50 LARGE.....	p. 57

P

P/04.....	p. 73
PA 22/4.....	p. 27
PC.....	p. 76
PC6L.....	p. 46
PCB.....	p. 10
PICK UP/F10-PICK UP P.....	p. 62
PICK UP/GN.....	p. 62
PICK UP/M.....	p. 62
PLK/20.....	p. 102
PLK/30.....	p. 102
PLT 10/5.....	p. 101
PNT.....	p. 77
POLO.....	p. 63
PORTE SKY.....	p. 46
PP.....	p. 106
PPF.....	p. 106
PPS.....	p. 77
PRC.....	p. 105
PRD/21.....	p. 105
PRESS/10.....	p. 92
PRESS/NEW 14.....	p. 91
PRESS/12.5.....	p. 92
PRESS/12.5 C14.....	p. 92
PRESS/14.....	p. 92
PRESS/18.....	p. 92
PRT.....	p. 21
PS/B.....	p. 14
PSA/50.....	p. 59
PSC-N/100.....	p. 102
PSL.....	p. 59
PSM/50.....	p. 35
PSM/56.....	p. 35
PSN.....	p. 59
PSN 16/18.....	p. 59
PST.....	p. 59
PT.....	p. 77
PTC.....	p. 108
PTH.....	p. 22
PULL.....	p. 78
PULL/3.....	p. 73

Q

QLN.....	p. 77
QR.....	p. 36

R

RA/14.....	p. 95
RCF.....	p. 45
RD.....	p. 58
RED 25/40.....	p. 58
RG.....	p. 21
RING.....	p. 60
RM 12/5.....	p. 95
ROC/40.....	p. 38
ROC/40 BC.....	p. 41
ROC/80.....	p. 38
ROC/80 BC.....	p. 41
RP.....	p. 96
RV.....	p. 95
RVA.....	p. 96

S

SA.....	p. 57
SB.....	p. 29
SC.....	p. 20
SCB.....	p. 16
SCLN.....	p. 19
SCM.....	p. 21

SCM/BC.....	p. 40
SCNL.....	p. 20
SCS/3.....	p. 66
SFERA.....	p. 64
SHB.....	p. 48
SL/10.....	p. 102
SLICK.....	p. 68
SLP.....	p. 11
SM.....	p. 19
SMH.....	p. 54
SMH LARGE.....	p. 55
SP/16 - SP/20.....	p. 103
SP/25.....	p. 103
SP/50.....	p. 104
SPN.....	p. 104
SR/1.....	p. 36
SR/2.....	p. 36
SR/3.....	p. 37
SR/5.....	p. 37
SRC MALE.....	p. 32
SRC/WB FEMALE.....	p. 33
SRC/WB BP.....	p. 33
SRS/25.....	p. 35
SSL.....	p. 7
SSL/3B.....	p. 8
SSP.....	p. 22
SST.....	p. 96
STM.....	p. 42
SWB.....	p. 14

T

T2/4.....	p. 72
TA/2.....	p. 72
TA/5.....	p. 72
TAG.....	p. 106
TB.....	p. 71
TE 3/5.....	p. 70
TEE BAR.....	p. 44
TF.....	p. 71
TF/2.....	p. 71
TGL/2.....	p. 76
TGL/T.....	p. 76
TH/4.....	p. 89
TH/7.....	p. 89
TH/8.....	p. 90
TH/9.....	p. 90
TH/11.....	p. 90
THR/2.....	p. 88
THR/3.....	p. 88
TL.....	p. 74
TLH.....	p. 23
TR.....	p. 56
TRB.....	p. 23
TRC/45.....	p. 24
TRC/60.....	p. 24
TRP.....	p. 24
TSB.....	p. 100
TSC.....	p. 20
TSH-RH.....	p. 54
TSN/2.....	p. 70
TUB.....	p. 101
TUBE/5.....	p. 66
TUB-SA/15.....	p. 101
TUKY.....	p. 80
TUKY/GR.....	p. 80
TWINS.....	p. 66

V

V DIVIDER.....	p. 23
----------------	-------

W

WB/BC.....	p. 39
WB/CL FEMALE.....	p. 32
WB/CL MALE.....	p. 31
WB/DR FEMALE.....	p. 32
WB/DR HYBRID.....	p. 30
WB/DR MALE.....	p. 31
WB/NS MALE.....	p. 32
WB/SR FEMALE.....	p. 33
WB/SR HYBRID.....	p. 31
WB/SR MALE.....	p. 31

Z

Z1.....	p. 74
Z2.....	p. 74
Z3.....	p. 74
ZIP.....	p. 72
ZP/4.....	p. 75
ZP/5.....	p. 75
ZP/9.....	p. 75
ZP/10.....	p. 75
ZPM.....	p. 74

